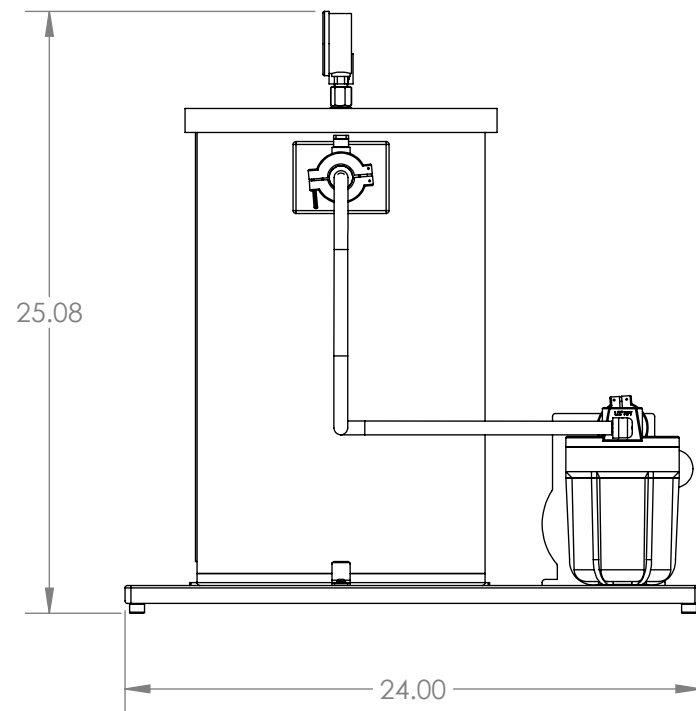
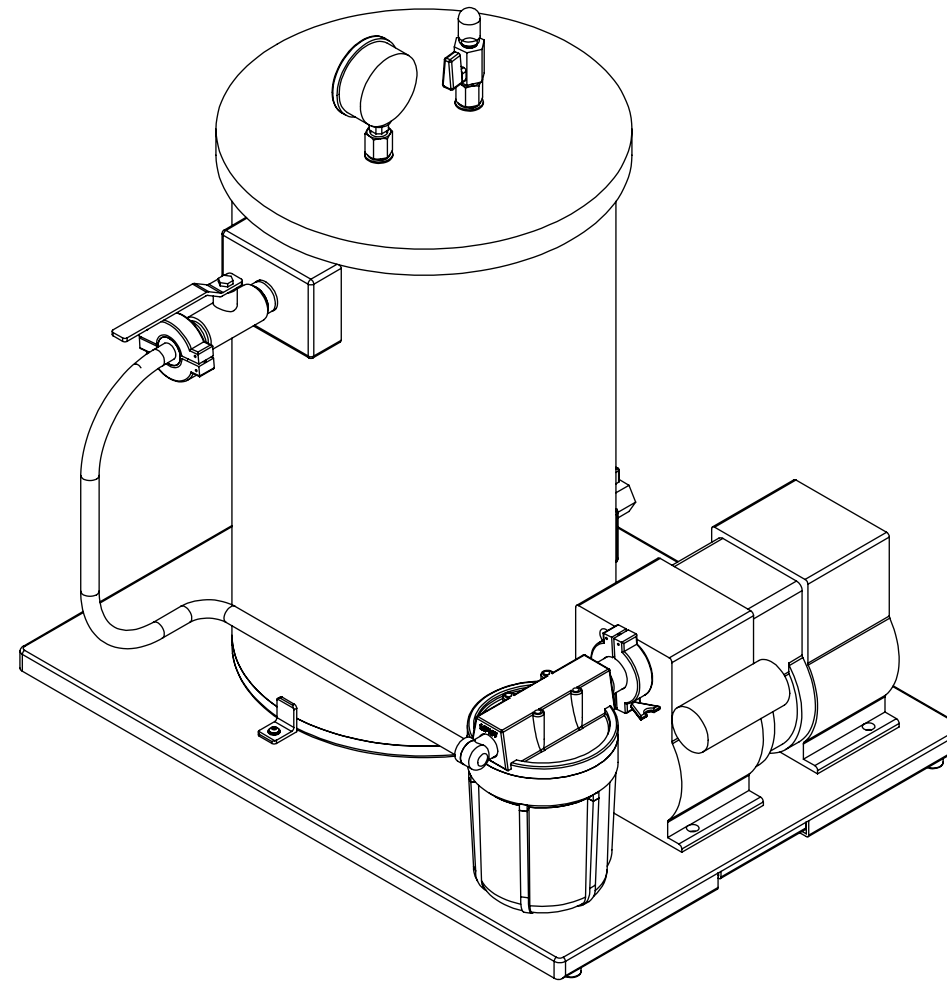
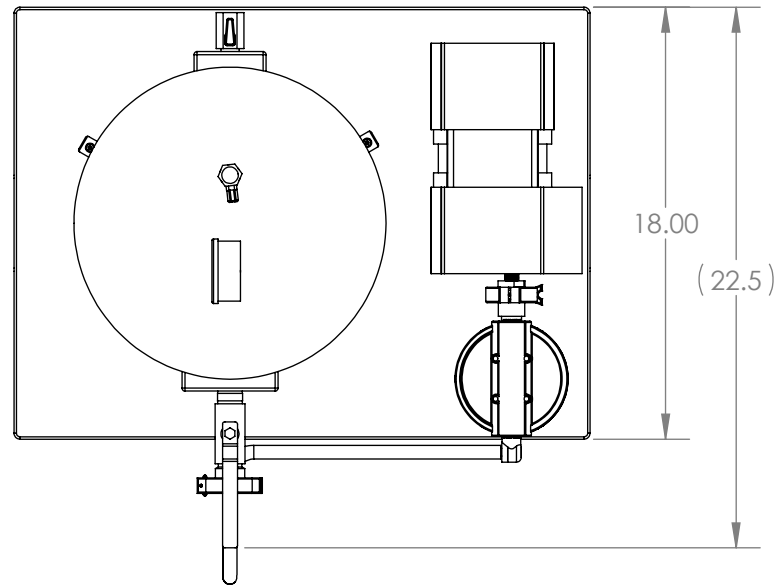


REV.	LCO No.	DESCRIPTION	DATE	APPROVED
A	---	INITIAL RELEASE	-----	---



NOTES:
1. SEE ABAS FOR BOM.



UNLESS OTHERWISE SPECIFIED:
DIMENSIONS ARE IN INCHES.
TOLERANCES:
FRACTIONAL: $\pm 1/16"$
ANGULAR: MACH $\pm 1^\circ$ / BEND $\pm 2^\circ$
TWO PLACE DECIMAL: $\pm .01$
THREE PLACE DECIMAL: $\pm .005$
GEOMETRIC TOLERANCING PER
ASME Y14.5M - 2009

PROPRIETARY AND CONFIDENTIAL
THE INFORMATION CONTAINED IN THIS
DRAWING IS THE SOLE PROPERTY OF LACO
TECHNOLOGIES, INC. ANY
REPRODUCTION IN PART OR AS A WHOLE
WITHOUT THE WRITTEN PERMISSION OF
LACO TECHNOLOGIES, INC., IS PROHIBITED.

**12"x18" PACKAGE
TESTING SYSTEM
WITH JP120**

DRAWN BY	NAME	DATE
APPROVED BY	BLL	5/28/14
DWG. NO.	REV	
LVS1218-VCPT	A	
SCALE: 1:8	SIZE: B	SHEET 1 OF 1