

The Flexstation™ is a production class automated helium leak test system ready to interface with production test tooling. The standard platform provides a robust, high-value solution through configurable software and hardware, enabling the Flexstation™ to perform in many variations of helium hard vacuum or HATS™ leak testing methods. In addition, its modular design can adapt to new test tooling as your production requirements change.



Flexstation™ integrated with custom test chamber

FEATURES

- High performance in a compact footprint
- Standard hardware and software
- Flexible software configurations for many test fixture and sequence options
- Industrial PLC with 10" color touch screen
- Inficon LDS3000 helium leak detector with 3 year ion source warranty
- Field upgradable from single to dual station

CONFIGURATION OPTIONS

- Interface with automated or manually actuated test fixtures
- Configurable for manual button, automatic, or remote cycle initiation
- Multiple part clamp options
- Integrate with part marking systems
- Integrated full-featured part charging

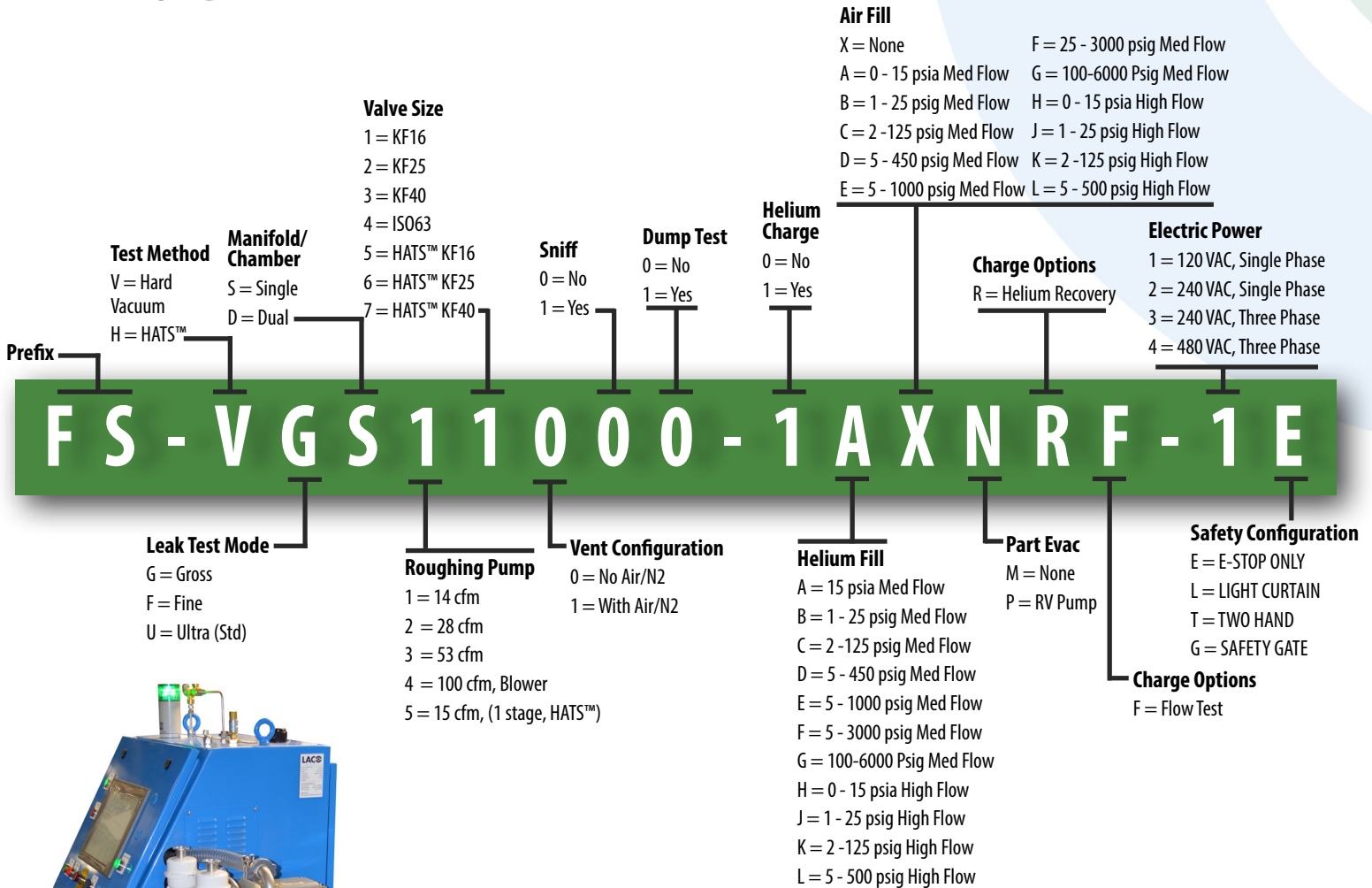
SPECIFICATIONS

COMPONENT	DESCRIPTION
SENSITIVITY	10 ⁻⁹ atmcc/sec range (depending on part size, configuration, and cycle time)
CYCLE TIME	Capable of high speed testing to less than 10 seconds/cycle (part and reject limit dependent)
CONTROL SYSTEM	Industrial PLC with 10" color touch screen, 64 digital inputs, 80 digital outputs, and 20 analog inputs
COMMUNICATION	Ethernet and USB
LEAK DETECTOR	Inficon LDS3000 helium leak detector with a 3 year ion source warranty
POWER	Depends on roughing pump size. See part number matrix on page 2
GAS CONNECTION	Air 80 psig minimum, clean dry air
	Vent Exhaust vent for helium
	Helium As required
DIMENSIONS	65" H x 38" W x 23" D

SOFTWARE FEATURES

- Automated test sequencing with test fixture control
- Full control over test recipe parameters, with up to 100 stored recipes
- System calibration function with user-configurable calibration expiration
- Diagnostics screens to assist in troubleshooting the system
- Manual mode operation with graphical screens and safety interlocks
- Password protection to restrict access to manual modes and editing test recipes
- Maintenance tracking feature
- Fault tracking history
- 16 GB of test or other data storage

PART NUMBER MATRIX



Flexstation™ with 53 CFM roughing pump package



Industrial PLC with 10" color touch screen