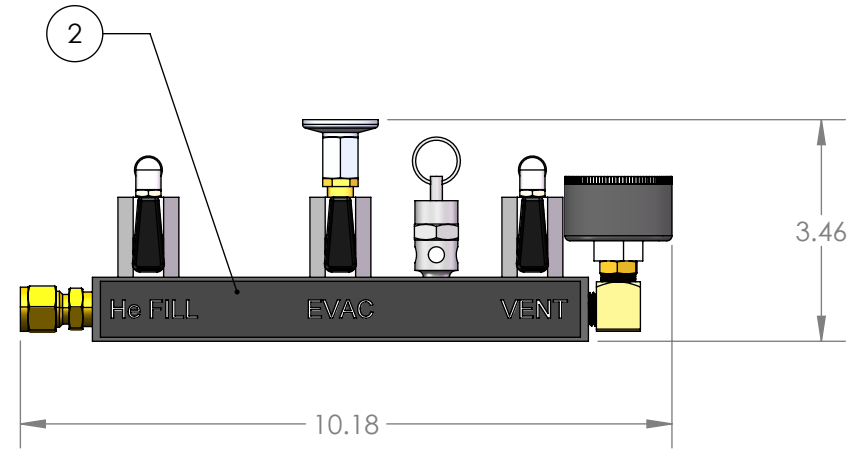
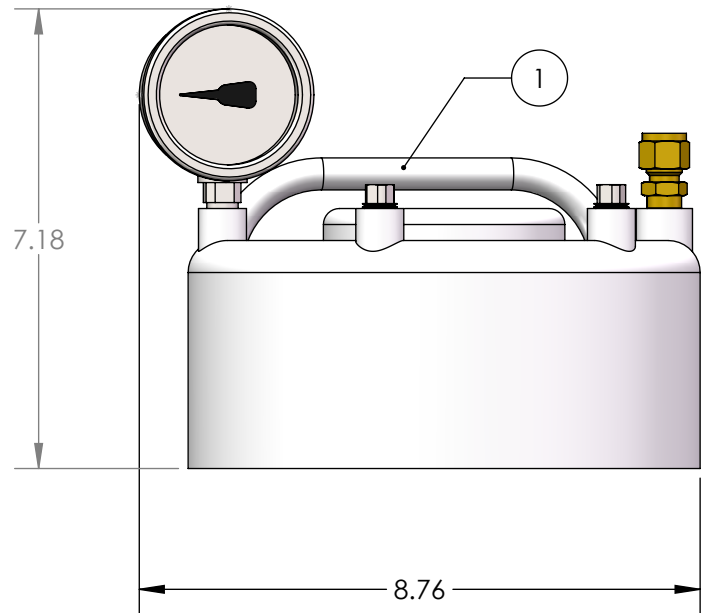
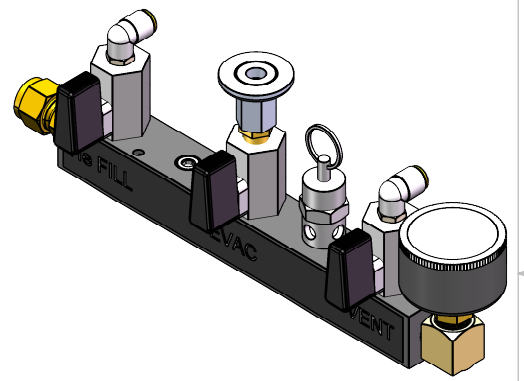
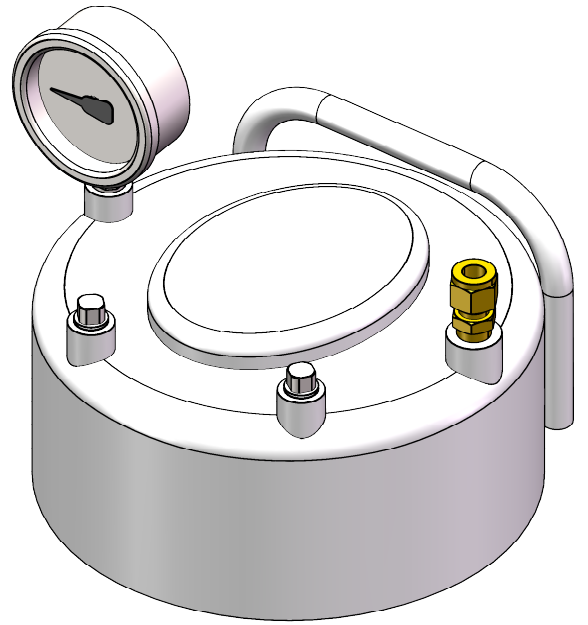
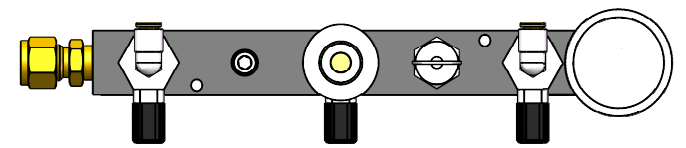
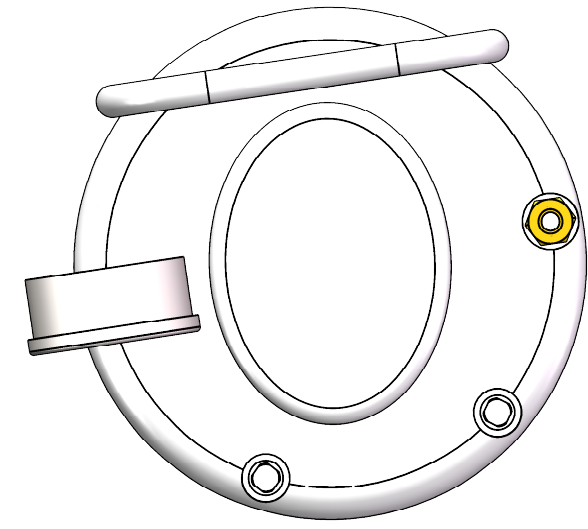


ID	FEATURE
1	BOMBING CHAMBER
2	HELIUM GAS CHARGE MANIFOLD

REV.	LCO No.	REV DESCRIPTION	DATE	APPROVED
A	---	INITIAL RELEASE	02/16/2023	MST



- NOTES:
- SYSTEM WEIGHT - KG(LB)- TOTAL WEIGHT 3.6 (8)  
 CHAMBER: 2.27 (5)  
 MANIFOLD: 1.4 (3)
  - SEE OPERATIONS MANUAL FOR MORE DETAIL.



UNLESS OTHERWISE SPECIFIED: DIMENSIONS ARE IN INCHES. TOLERANCES: FRACTIONAL: ±1/16" ANGULAR: MACH ±1° / BEND ±2° TWO PLACE DECIMAL: ±.03 THREE PLACE DECIMAL: ±.005 GEOMETRIC TOLERANCING PER ASME Y14.5M - 2009		
PROPRIETARY AND CONFIDENTIAL THE INFORMATION CONTAINED IN THIS DRAWING IS THE SOLE PROPERTY OF LACO TECHNOLOGIES, INC. ANY REPRODUCTION IN PART OR AS A WHOLE WITHOUT THE WRITTEN PERMISSION OF LACO TECHNOLOGIES, INC., IS PROHIBITED.		
HELIUM BOMBING SYSTEM, 8X3, LMGC, NO PUMP, OPEN STYLE, CUSTOMER DRAWING		
DRAWN BY	NAME	DATE
SEE ABAS FOR APPROVER	MST	2/16/2023
DWG. NO.	REV	
126878-2C	A	
SCALE: 1:3	SIZE: B	SHEET 1 OF 1