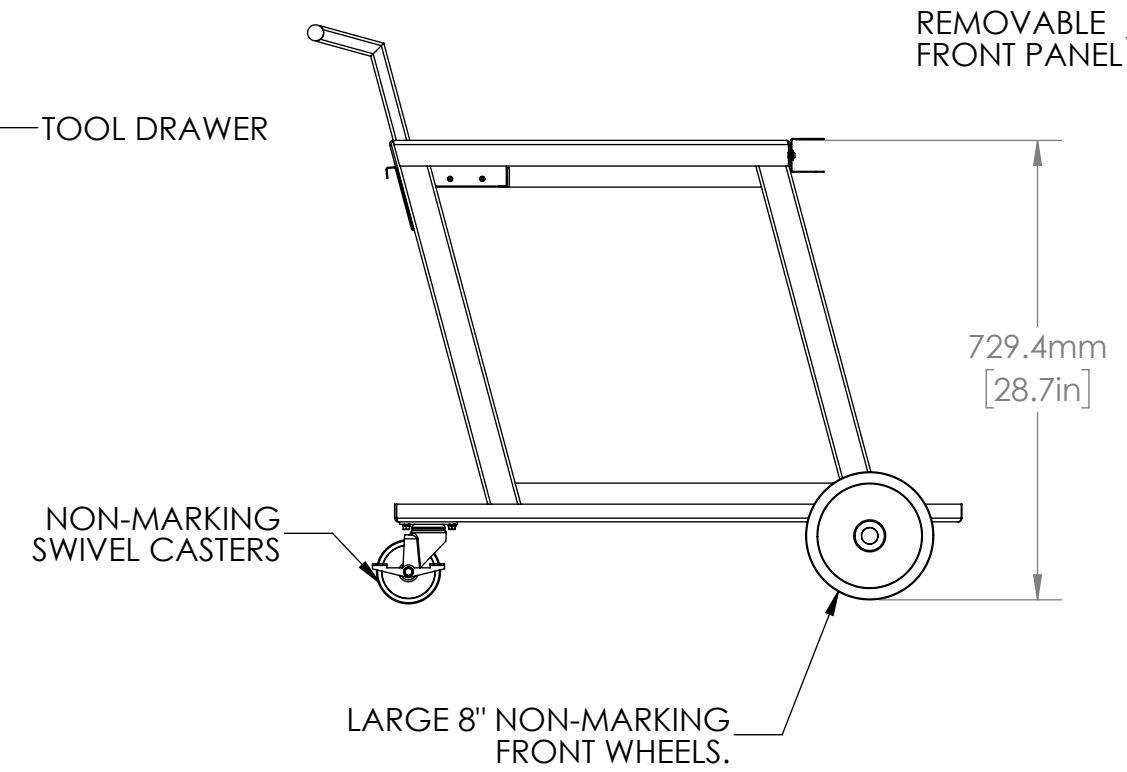
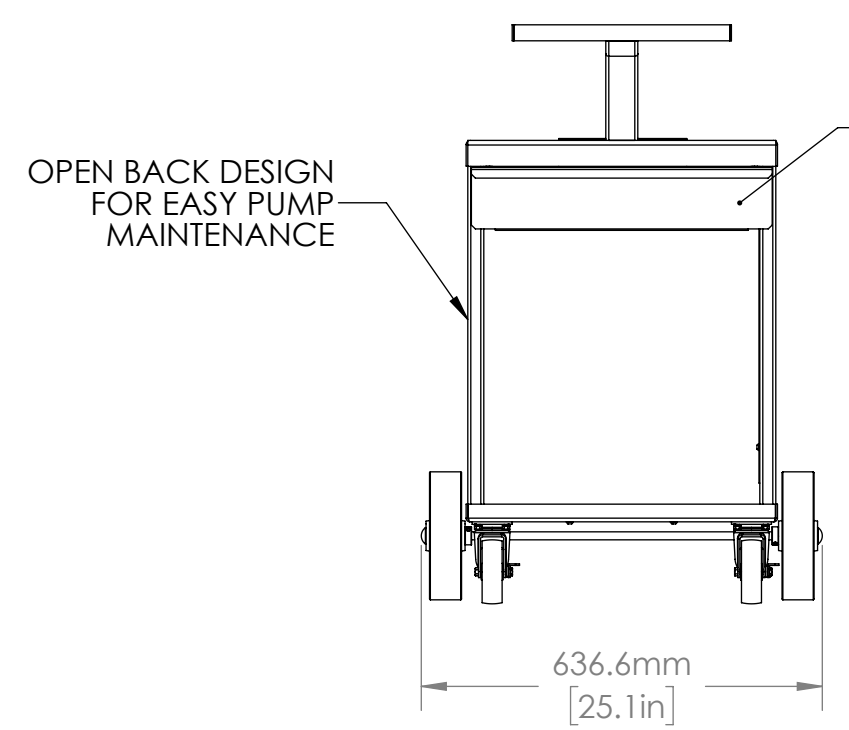
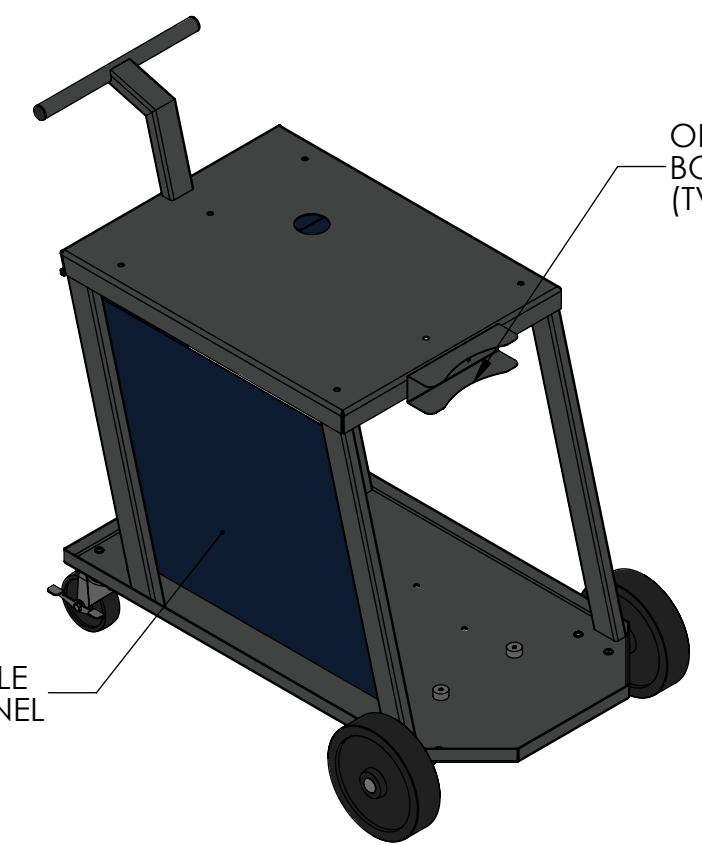
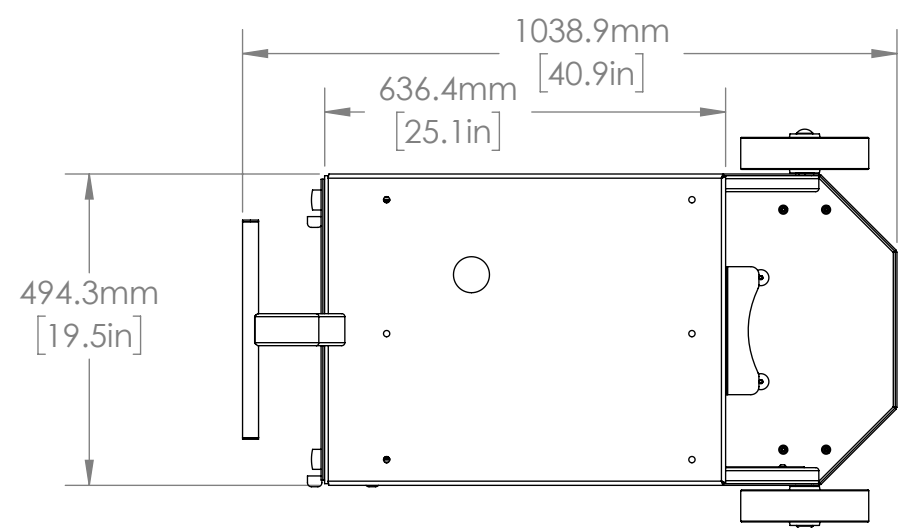


REV.	LCO No.	DESCRIPTION	DATE	APPROVED
A	1522	INITIAL RELEASE	7/17/20	ABS



UNLESS OTHERWISE SPECIFIED:
 DIMENSIONS ARE IN INCHES.
 TOLERANCES:
 FRACTIONAL: ±1/16"
 ANGULAR: MACH ±1° / BEND ±2°
 ONE PLACE DECIMAL: ±.05
 TWO PLACE DECIMAL: ±.01
 THREE PLACE DECIMAL: ±.005
 GEO TOLERANCING: ASME Y14.5M - 2009

PROPRIETARY AND CONFIDENTIAL
 THE INFORMATION CONTAINED IN THIS DRAWING IS THE SOLE PROPERTY OF LACO TECHNOLOGIES, INC. ANY REPRODUCTION IN PART OR AS A WHOLE WITHOUT THE WRITTEN PERMISSION OF LACO TECHNOLOGIES, INC., IS PROHIBITED.

TITAN VERSA MAINTENANCE CART		
DRAWN BY	NAME	DATE
SEE ABAS FOR APPROVER	ABS	7/17/20
DWG. NO.	REV	
116355-C	A	
SCALE: 1:12	SIZE: B	SHEET 1 OF 1