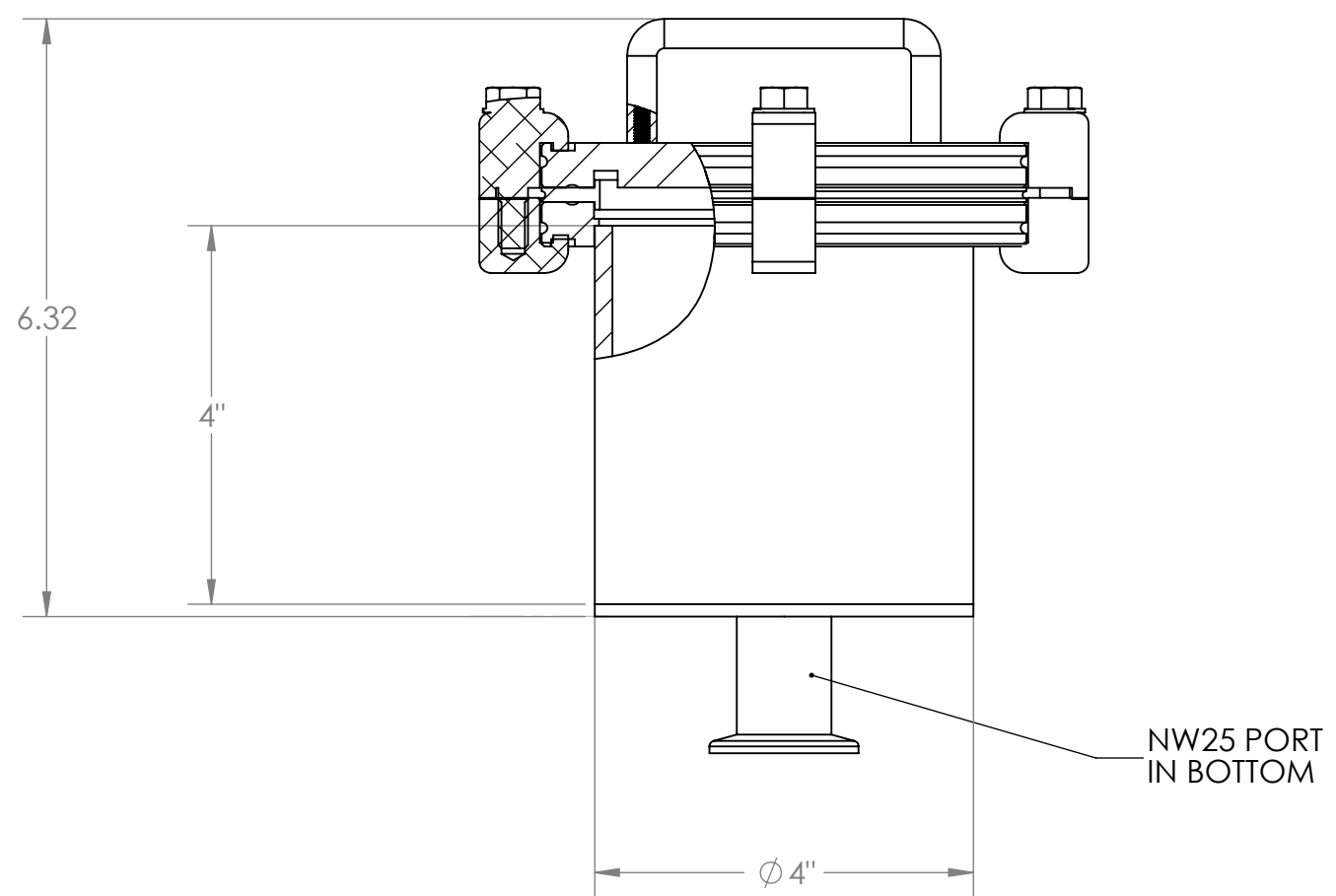
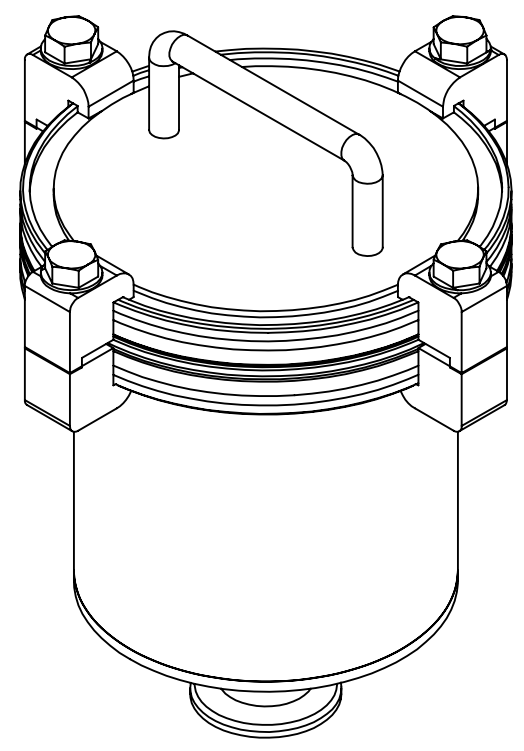
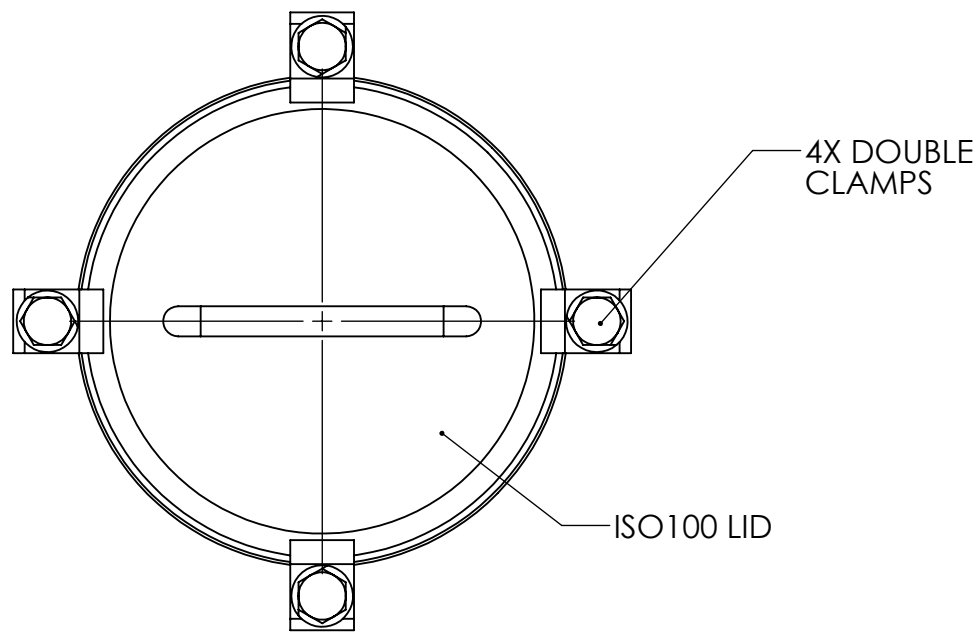


REV.	LCO No.	DESCRIPTION	DATE	APPROVED
A	--	INITIAL RELEASE		MEC



PART NOTES:  
1. MATL: 304 STAINLESS STEEL.



UNLESS OTHERWISE SPECIFIED:		
DIMENSIONS ARE IN INCHES.		
TOLERANCES:		
FRACTIONAL: ±1/16"		
ANGULAR: MACH ±1° / BEND ±2°		
TWO PLACE DECIMAL: ±.01		
THREE PLACE DECIMAL: ±.005		
GEOMETRIC TOLERANCING PER ASME Y14.5M - 1994		
NAME	DATE	
DRAWN BY DVM	3/1/2013	
DESIGNED BY DVM	9/25/12	
CHECKED BY MEC	9/25/12	
ENG APPROVED MEC	9/25/12	
<small>PROPRIETARY AND CONFIDENTIAL THE INFORMATION CONTAINED IN THIS DRAWING IS THE SOLE PROPERTY OF LACO TECHNOLOGIES, INC. ANY REPRODUCTION IN PART OR AS A WHOLE WITHOUT THE WRITTEN PERMISSION OF LACO TECHNOLOGIES, INC., IS PROHIBITED.</small>		

TITLE:	
TOP ASSEMBLY, 4" DIAM X 4" TALL	
LVC0404-3321-LD	
DWG. NO.	REV
100458-M	A
SCALE: 1:4	SHEET 1 OF 1