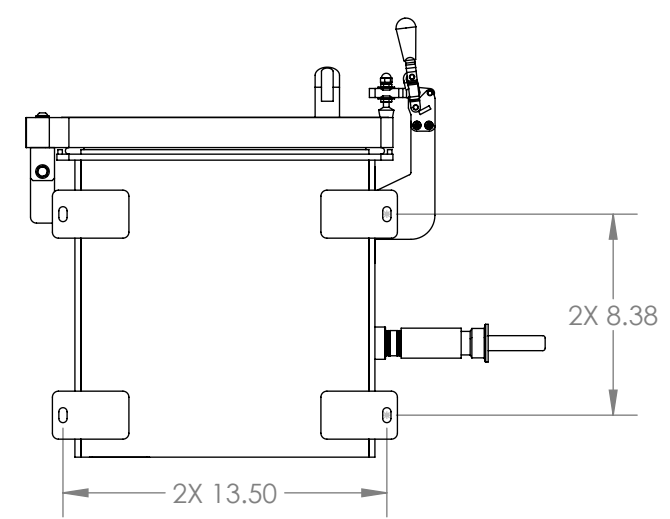
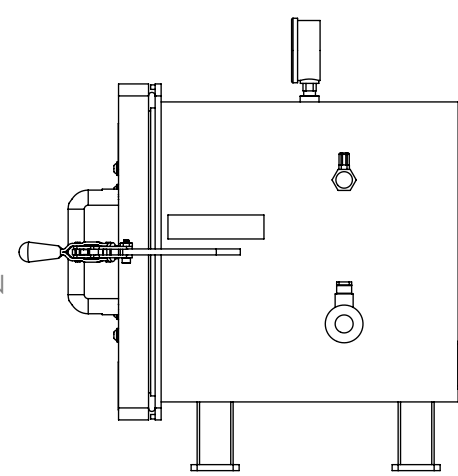
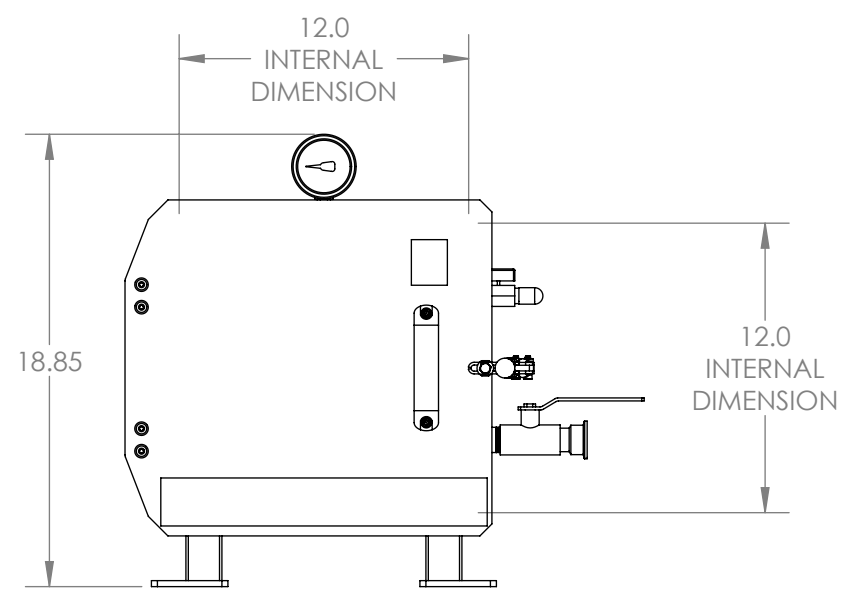
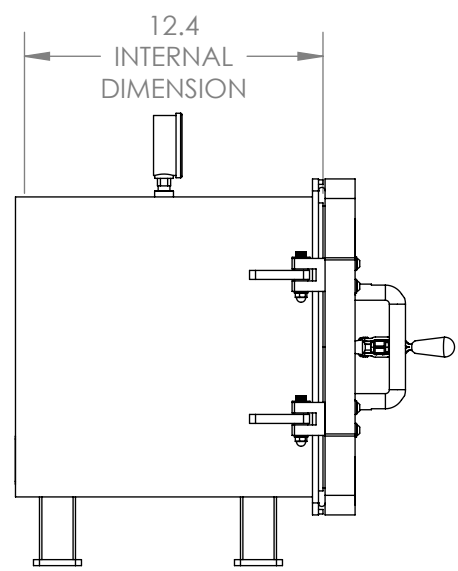
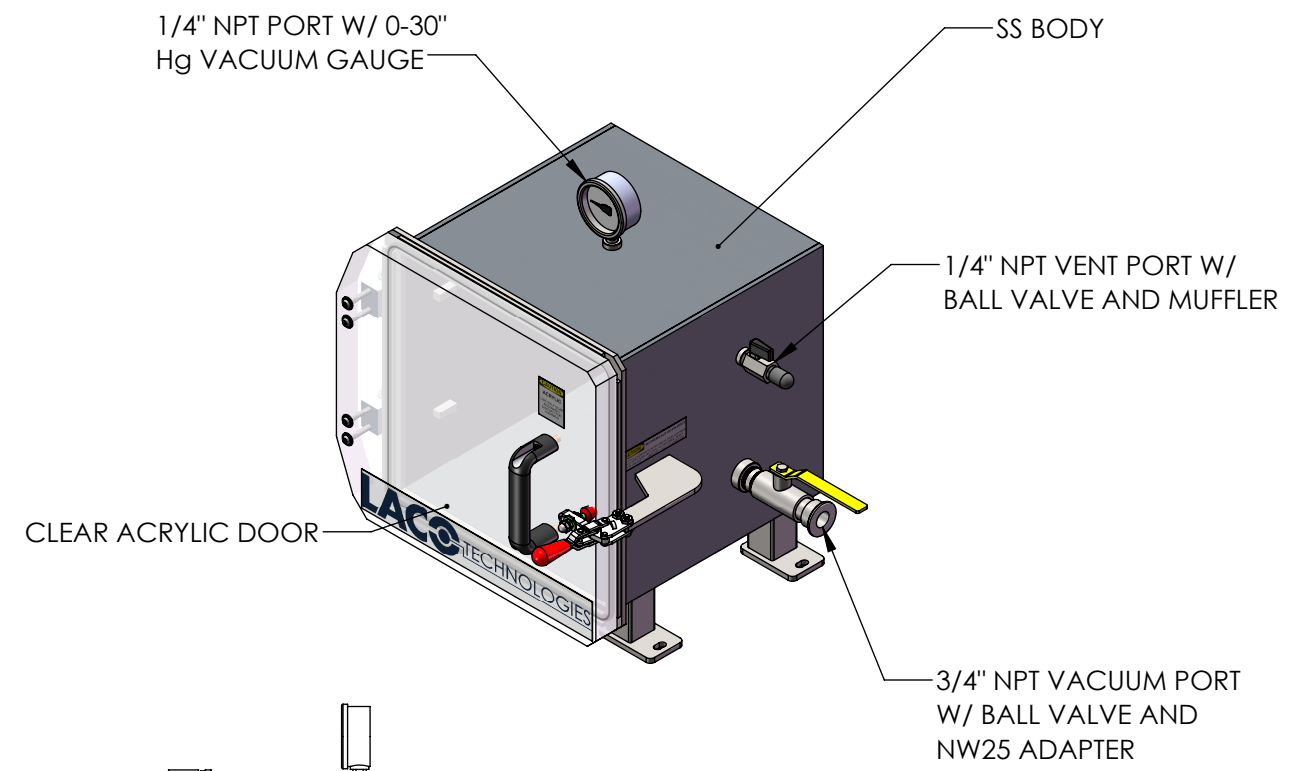
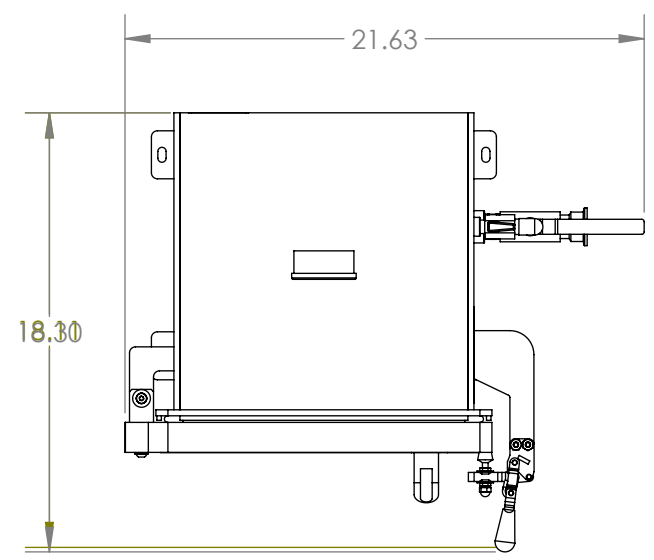


REV.	LCO No.	REV DESCRIPTION	DATE	APPROVED
A	1254	INITIAL RELEASE	17 APR 2018	JRA



UNLESS OTHERWISE SPECIFIED:
 DIMENSIONS ARE IN INCHES.
 TOLERANCES:
 FRACTIONAL: ±1/16"
 ANGULAR: MACH ±1° / BEND ±2°
 TWO PLACE DECIMAL: ±.03
 THREE PLACE DECIMAL: ±.005
 GEOMETRIC TOLERANCING PER ASME Y14.5M - 2009

PROPRIETARY AND CONFIDENTIAL
 THE INFORMATION CONTAINED IN THIS DRAWING IS THE SOLE PROPERTY OF LACO TECHNOLOGIES, INC. ANY REPRODUCTION IN PART OR AS A WHOLE WITHOUT THE WRITTEN PERMISSION OF LACO TECHNOLOGIES, INC., IS PROHIBITED.

CHAMBER, 12" X 12" CUBE, SS BODY, ACR DOOR, HORIZONTAL, STD PORTS

DRAWN BY	NAME	DATE
SEE ABAS FOR APPROVER	JRA	22 FEB 2018

DWG. NO. **112769-C** REV **A**

SCALE: 1:8 SIZE: B SHEET 1 OF 1

8 7 6 5 4 3 2 1

D C B A

D C B A

8 7 6 5 4 3 2 1