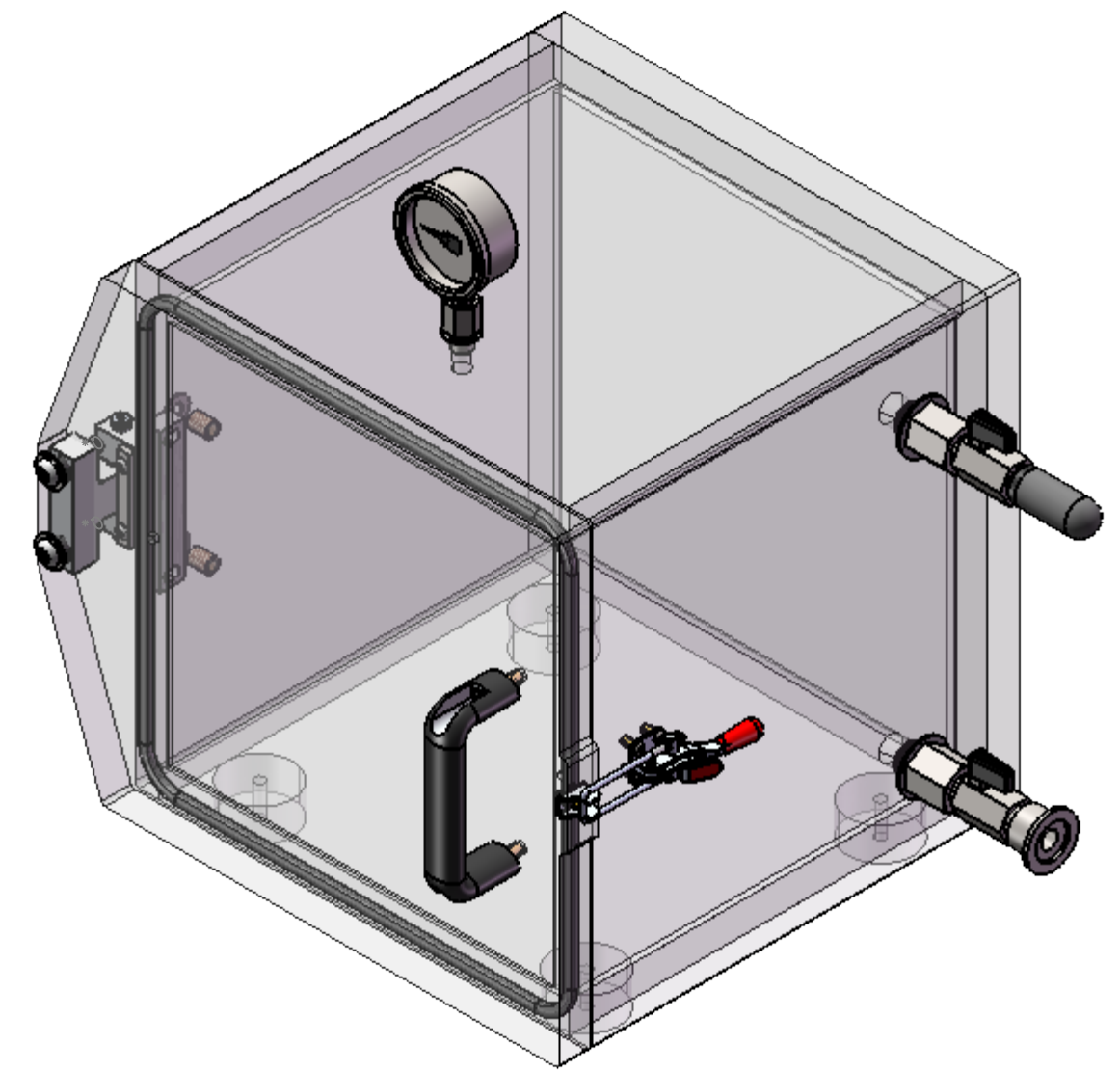
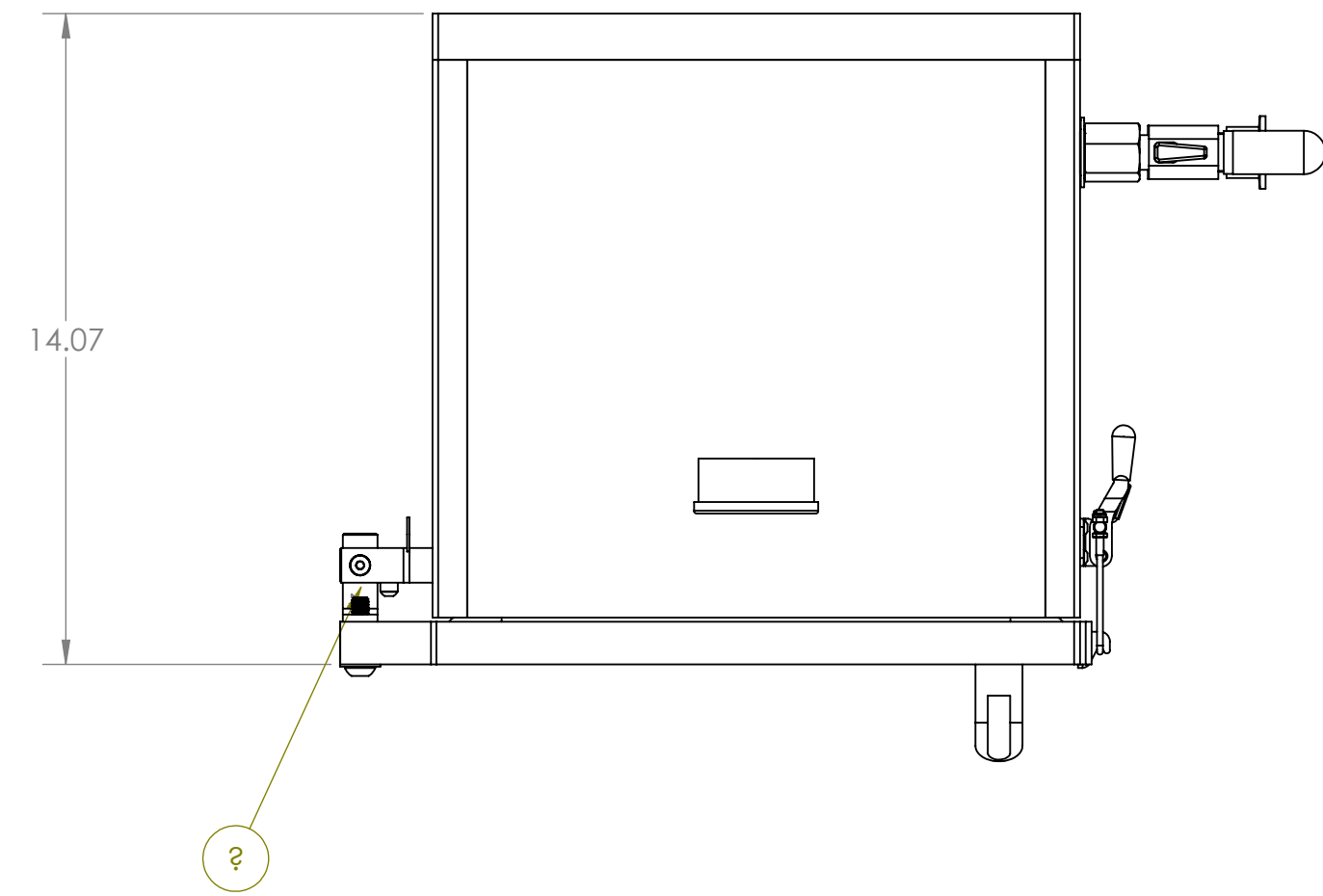


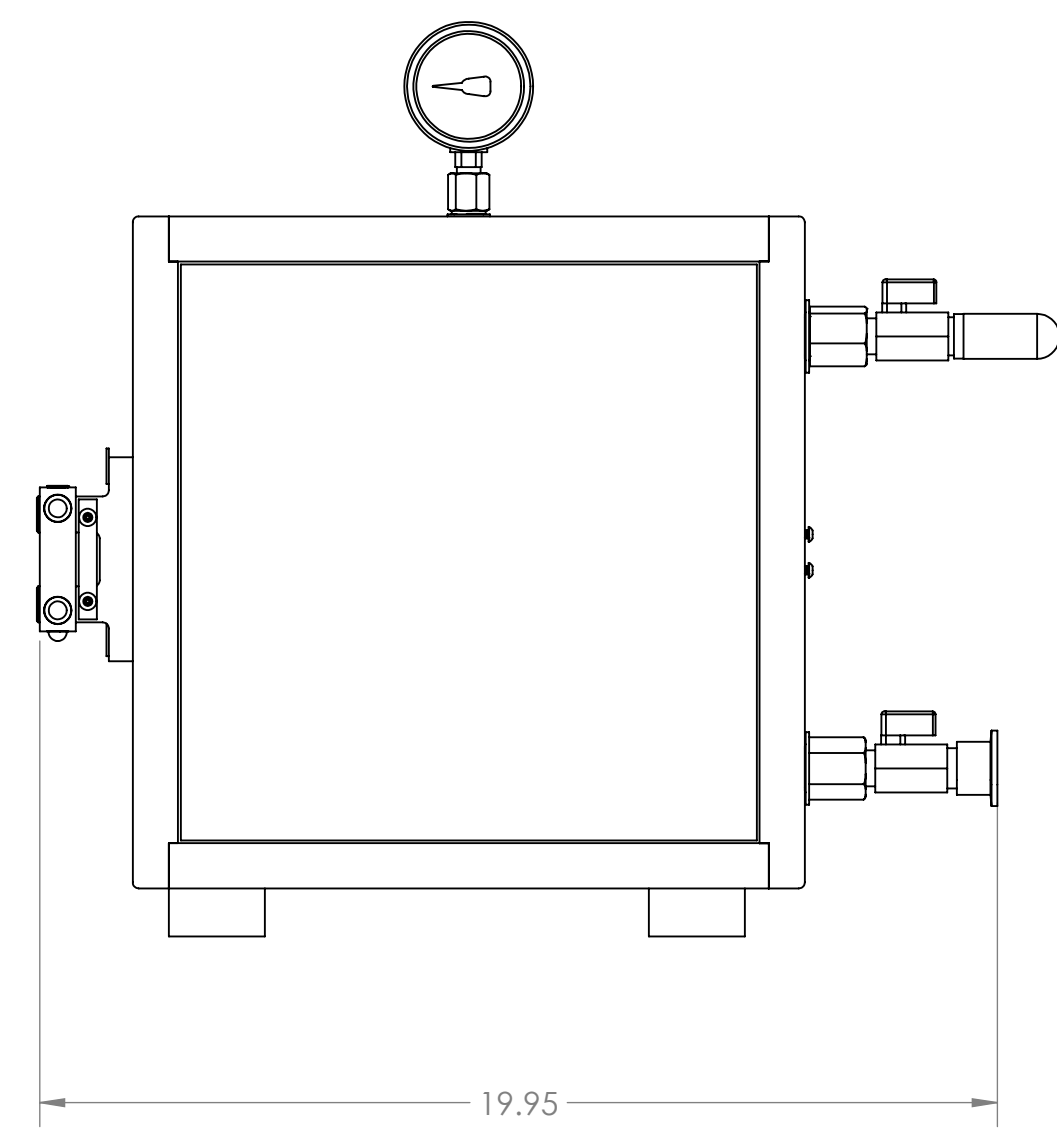
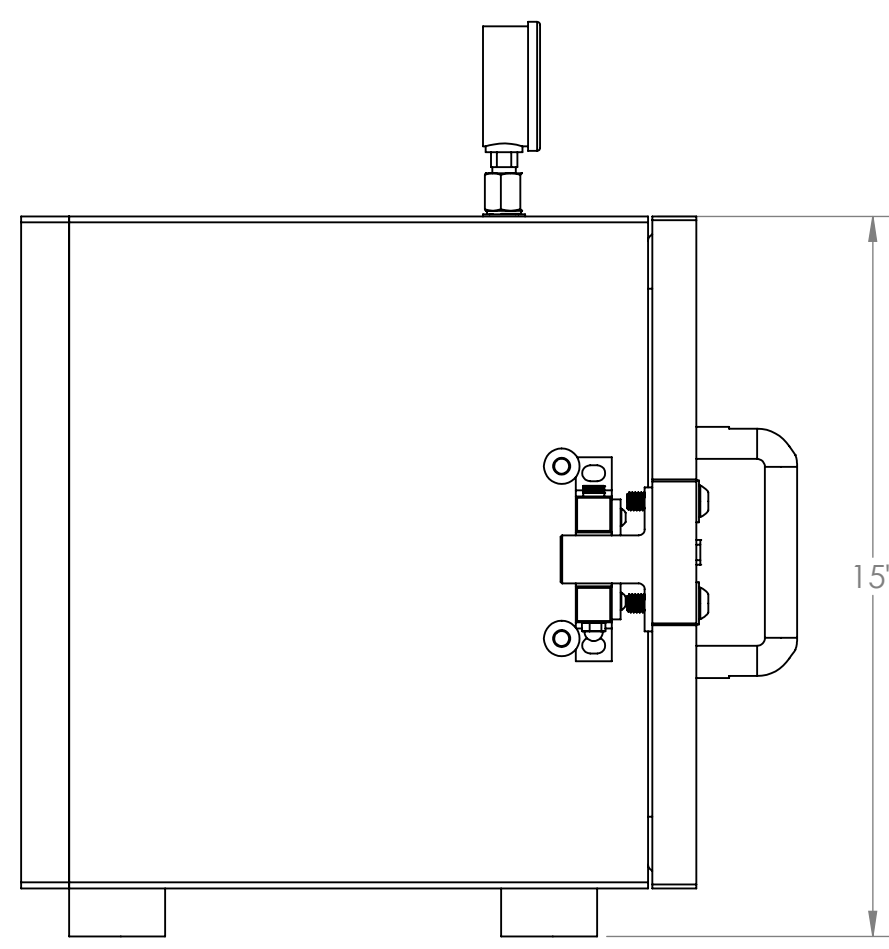
3	2	1	100104-m	A
REV.	LCO No.	DESCRIPTION	DATE	APPROVED
A	--	INITIAL RELEASE		MEC



DIAL GAUGE,
SHOWS IN IN/HG

VENT PORT W/
MUFFLER AND A
MANUAL BALL VALVE

VACUUM PORT W/
MANUAL BALL VALVE
AND nw25 ADDAPTOR



PART NOTES:
1. SYSTEM TYPE: ACRYLIC

LACO TECHNOLOGIES

UNLESS OTHERWISE SPECIFIED:
 DIMENSIONS ARE IN INCHES.
 TOLERANCES:
 FRACTIONAL: $\pm 1/16"$
 ANGULAR: MACH $\pm 1^\circ$ / BEND $\pm 2^\circ$
 TWO PLACE DECIMAL: $\pm .01$
 THREE PLACE DECIMAL: $\pm .005$
 GEOMETRIC TOLERANCING PER
 ASME Y14.5M - 1994

NAME	DATE
DRAWN BY DVM	9/8/2016
DESIGNED BY DVM	10/15/12
CHECKED BY AJL	10/15/12
ENG APPROVED MEC	10/15/12

PROPRIETARY AND CONFIDENTIAL
 THE INFORMATION CONTAINED IN THIS DRAWING IS THE
 SOLE PROPERTY OF LACO TECHNOLOGIES, INC. ANY
 REPRODUCTION IN PART OR AS A WHOLE WITHOUT THE
 WRITTEN PERMISSION OF LACO TECHNOLOGIES, INC. IS
 PROHIBITED.

TITLE:
**CHAMBER ASSEMBLY,
CUSTOMER DRAWING**

DWG. NO. 100104-m	REV A
SCALE: 1:8	SIZE: C
SHEET 1 OF 1	