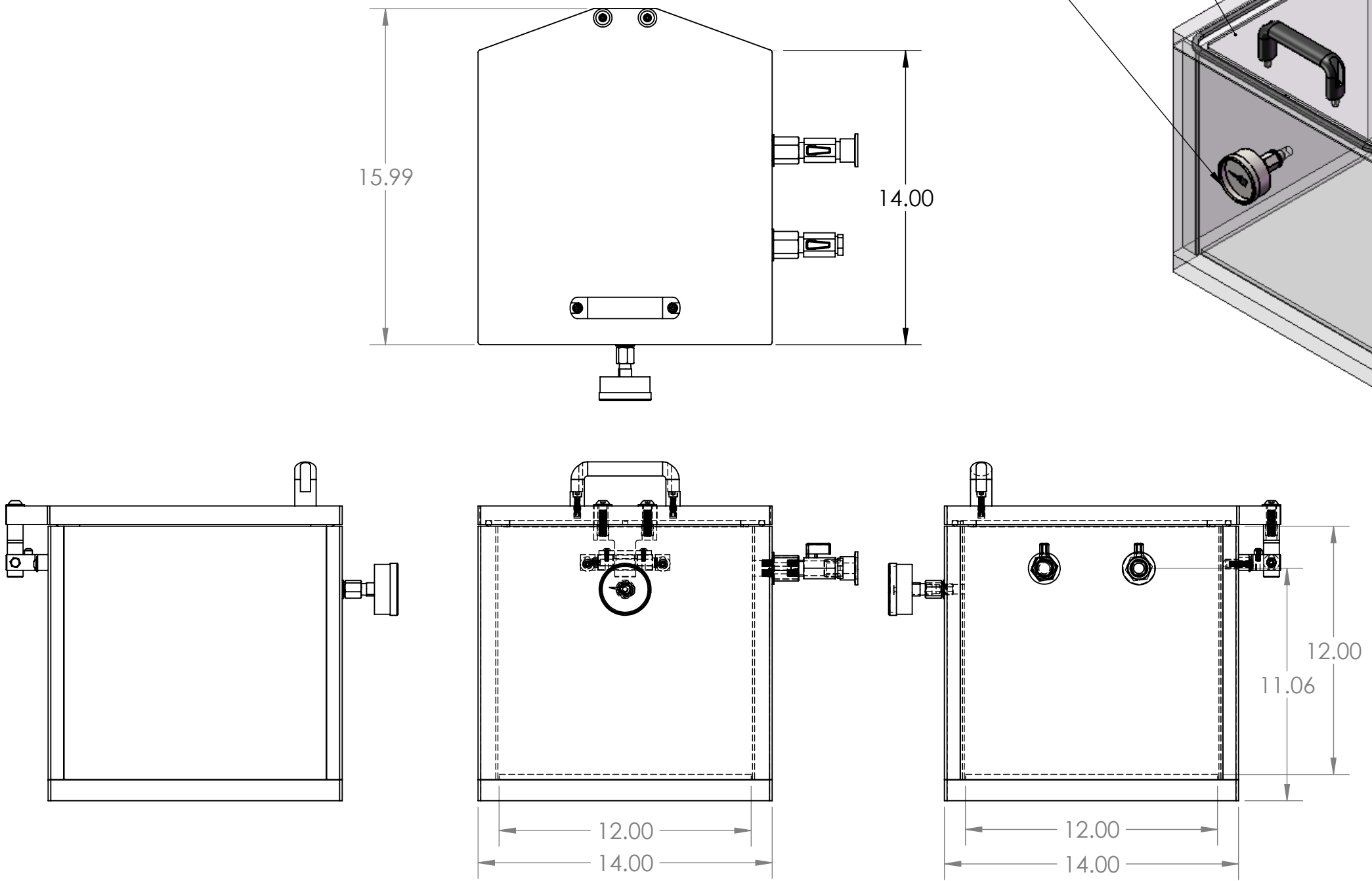
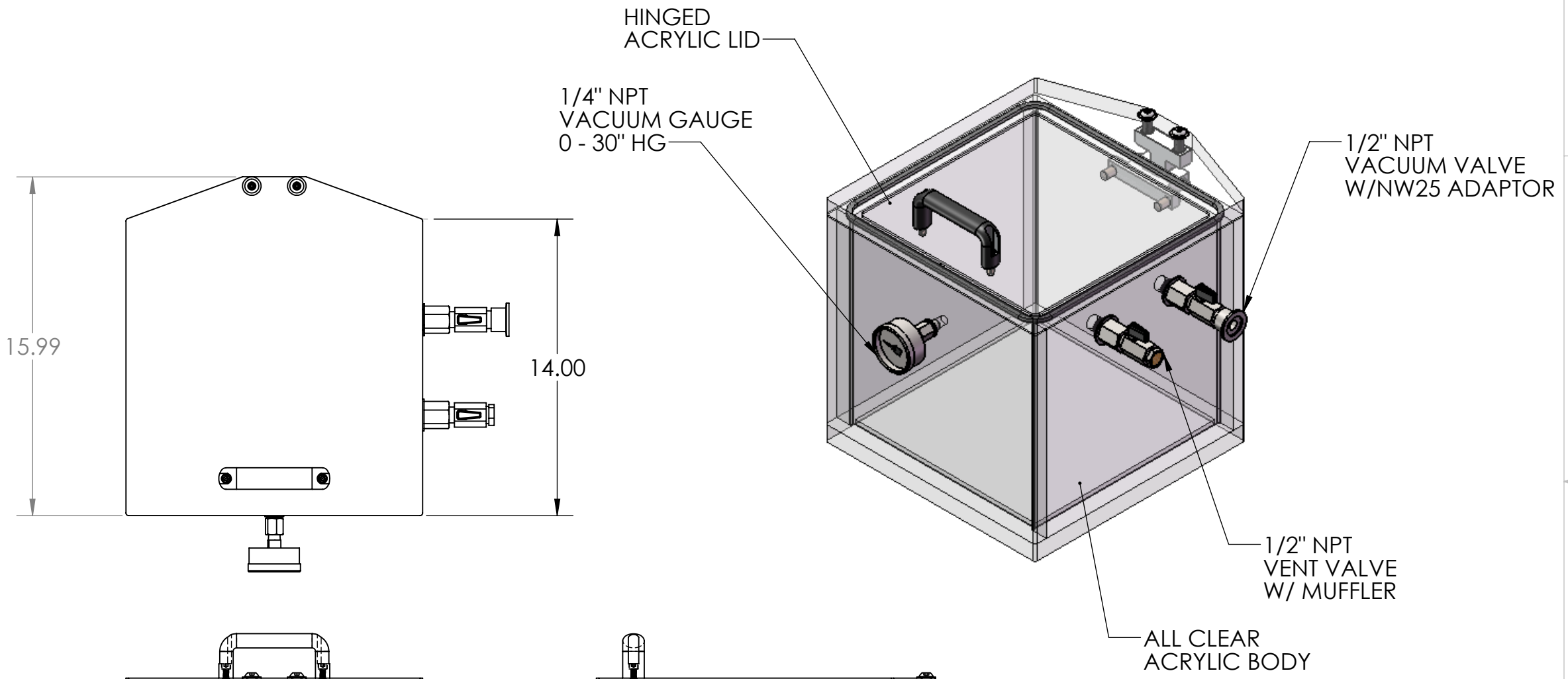


REV.	LCO No.	DESCRIPTION	DATE	APPROVED
A	--	INITIAL RELEASE		MEC
B	1288	UPDATED FORMAT AND DIMENSIONS		MEC

D
C
B
A

D
C
B
A



UNLESS OTHERWISE SPECIFIED:
 DIMENSIONS ARE IN INCHES.
 TOLERANCES:
 FRACTIONAL: $\pm 1/16"$
 ANGULAR: MACH $\pm 1^\circ$ / BEND $\pm 2^\circ$
 TWO PLACE DECIMAL: $\pm .01$
 THREE PLACE DECIMAL: $\pm .005$
 GEOMETRIC TOLERANCING PER ASME Y14.5M - 2009

PROPRIETARY AND CONFIDENTIAL
 THE INFORMATION CONTAINED IN THIS DRAWING IS THE SOLE PROPERTY OF LACO TECHNOLOGIES, INC. ANY REPRODUCTION IN PART OR AS A WHOLE WITHOUT THE WRITTEN PERMISSION OF LACO TECHNOLOGIES, INC., IS PROHIBITED.

**LVC121212-1122-CC
 CHAMBER, CUBE, 12"
 ACRYLIC, HINGED**

DRAWN BY	NAME	DATE
DVM	DVM	2/4/2013
APPROVED BY	NAME	DATE
MEC	MEC	-

DWG. NO. **94223-M** REV **B**

SCALE: 1:6 SIZE: B SHEET 1 OF 1