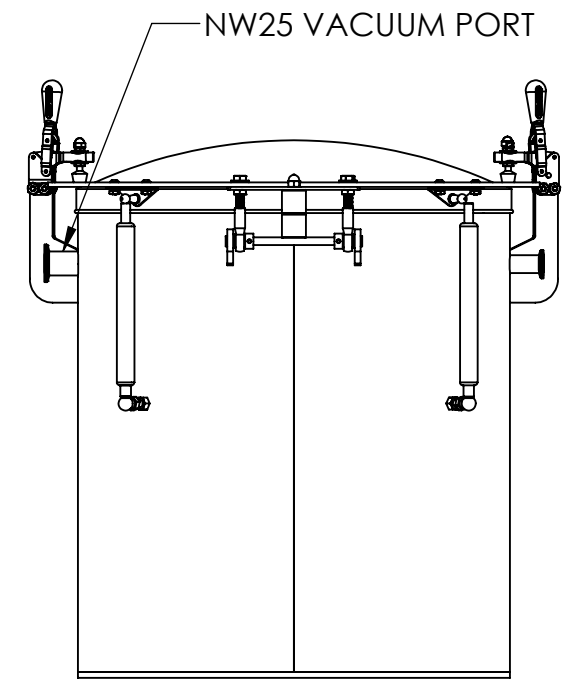
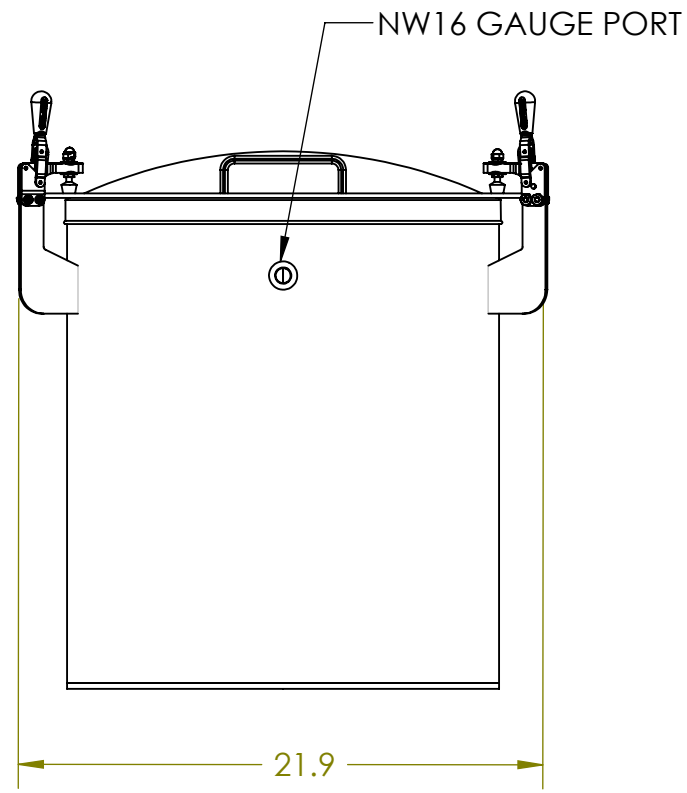
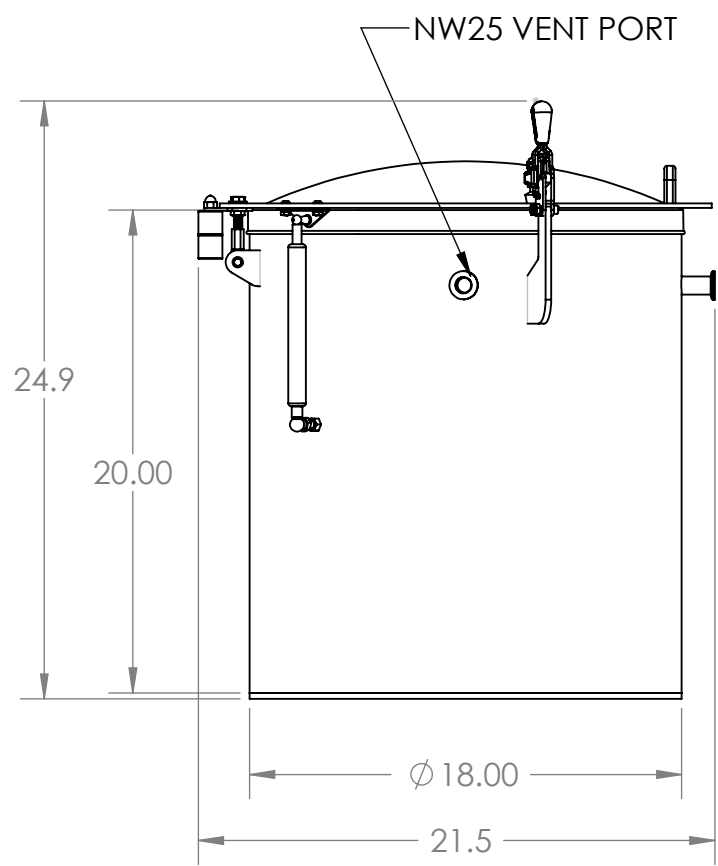


STAINLESS STEEL LID AND BODY



PROPRIETARY AND CONFIDENTIAL
 THE INFORMATION CONTAINED IN THIS DRAWING IS THE SOLE PROPERTY OF LACO TECHNOLOGIES, INC. ANY REPRODUCTION IN PART OR AS A WHOLE WITHOUT THE WRITTEN PERMISSION OF LACO TECHNOLOGIES, INC., IS PROHIBITED.

	NAME	DATE
DRAWN	CSG	12/04/07
DESIGNED	CSG	12/04/07
CHECKED	MEC	12/05/07
ENG APPR.	MEC	12/05/07

UNLESS OTHERWISE SPECIFIED:
 DIMENSIONS ARE IN INCHES
 TOLERANCES:
 FRACTIONAL $\pm 1/16"$
 ANGULAR: MACH $\pm 1^\circ$ BEND $\pm 2^\circ$
 TWO PLACE DECIMAL $\pm .010$
 THREE PLACE DECIMAL $\pm .005$
 GEOMETRIC TOLERANCING PER:
 ANSI Y14.5M - 1982

TITLE:		
18" X 20" VERT, SS SS DISHED LID, HINGED LVC1820-3312-VH		
SIZE	DWG. NO.	REV
B	92092-M	A
SCALE: 1:8	WEIGHT: N/A	SHEET 1 OF 2