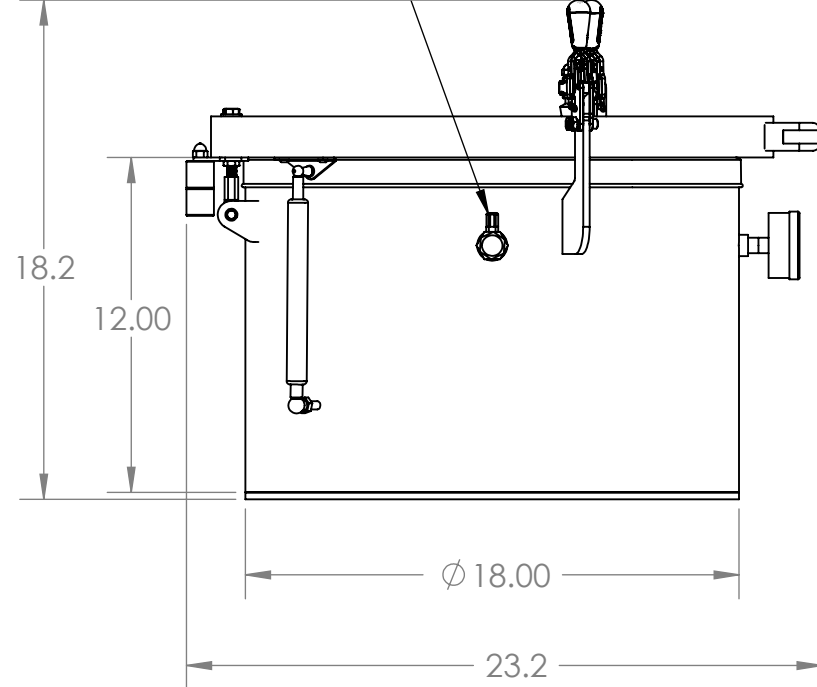
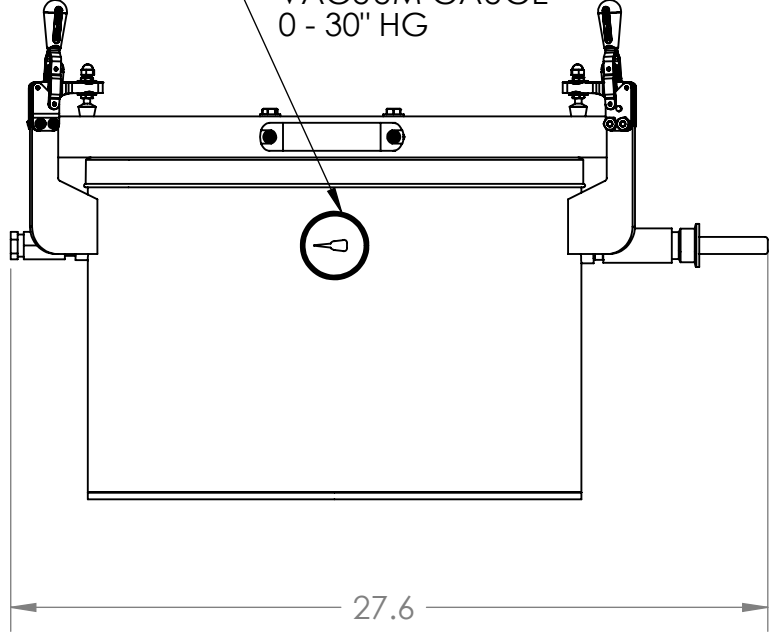


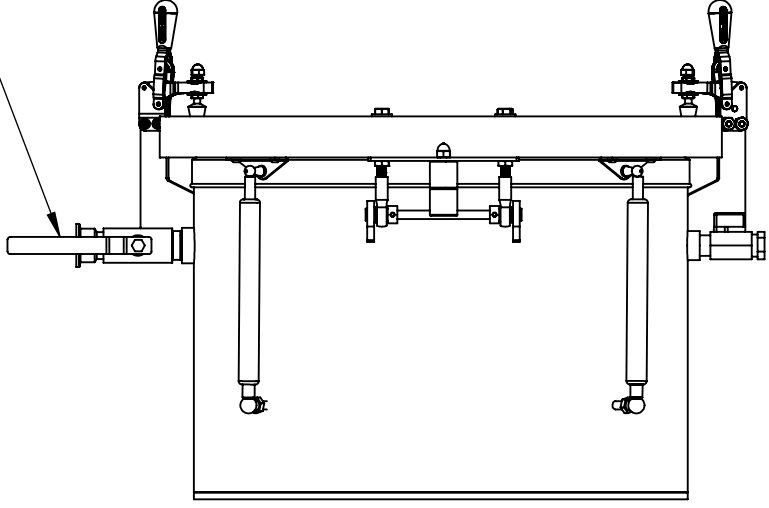
1/2" NPT  
VENT VALVE  
W/ MUFFLER



1/4" NPT  
VACUUM GAUGE  
0 - 30" HG



3/4" NPT  
VACUUM VALVE  
W/ NW25 ADAPTER



**PROPRIETARY AND CONFIDENTIAL**  
THE INFORMATION CONTAINED IN THIS DRAWING IS THE SOLE PROPERTY OF LACO TECHNOLOGIES, INC. ANY REPRODUCTION IN PART OR AS A WHOLE WITHOUT THE WRITTEN PERMISSION OF LACO TECHNOLOGIES, INC., IS PROHIBITED.

	NAME	DATE
DRAWN	CSG	11/29/07
DESIGNED	CSG	11/29/07
CHECKED	MEC	11/30/07
ENG APPR.	MEC	11/30/07

**UNLESS OTHERWISE SPECIFIED:**  
DIMENSIONS ARE IN INCHES  
TOLERANCES:  
FRACTIONAL ±1/16"  
ANGULAR: MACH ±1° BEND ±2°  
TWO PLACE DECIMAL ±.010  
THREE PLACE DECIMAL ±.005  
GEOMETRIC TOLERANCING PER:  
ANSI Y14.5M - 1982

TITLE:		
18" X 12" VERT, SS ACRYLIC LID, HINGED LVC1812-3112-VI		
SIZE	DWG. NO.	REV
B	92080-M	A
SCALE: 1:8	WEIGHT: N/A	SHEET 1 OF 2