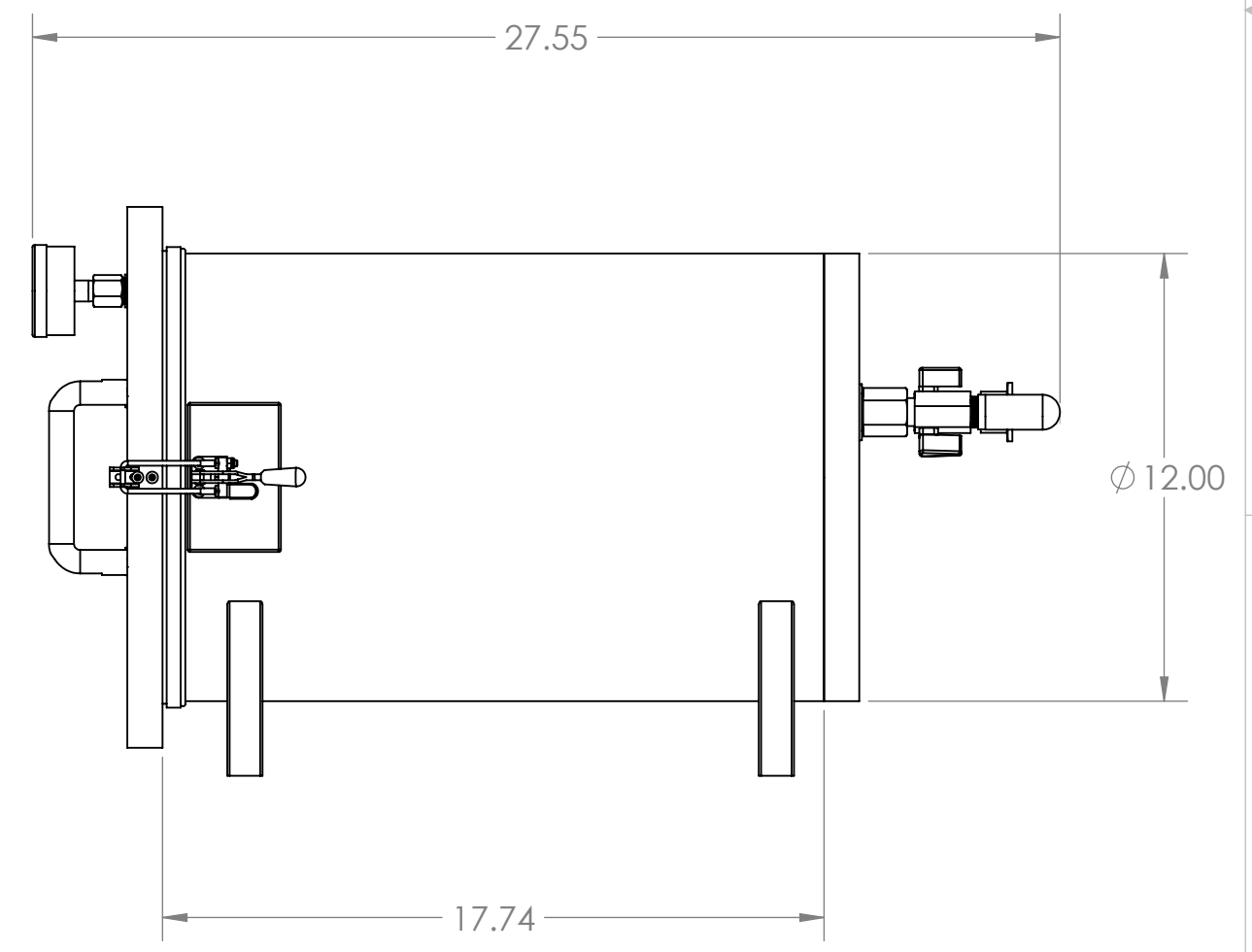
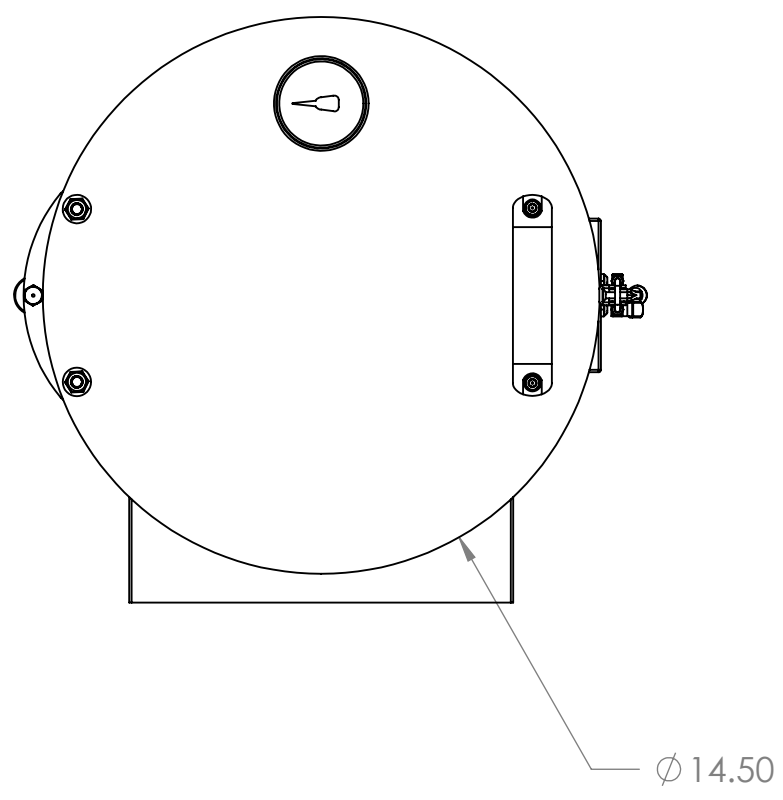
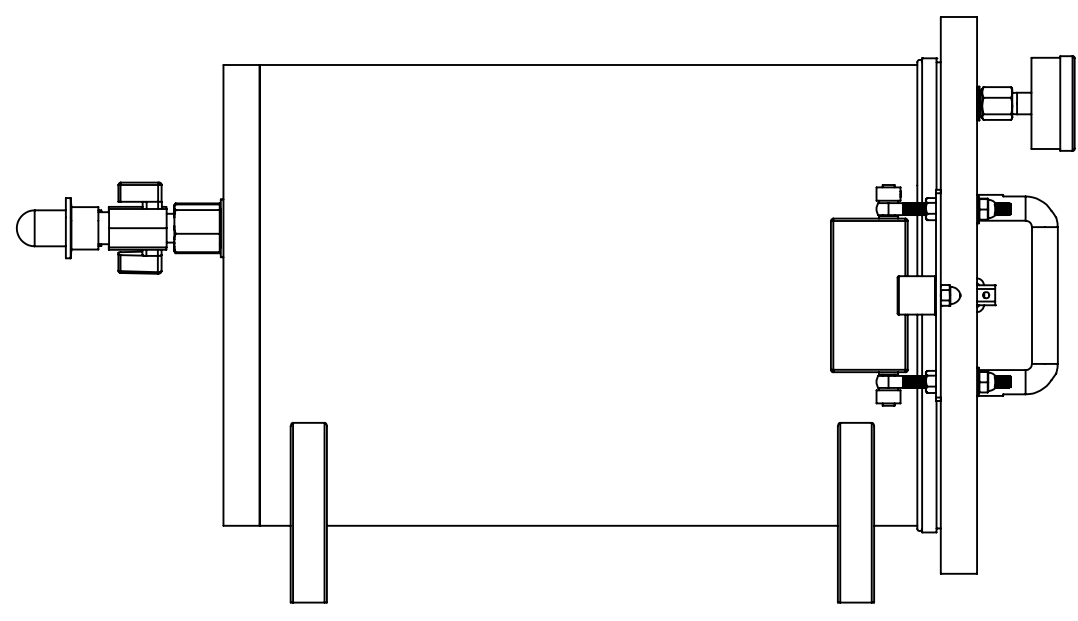
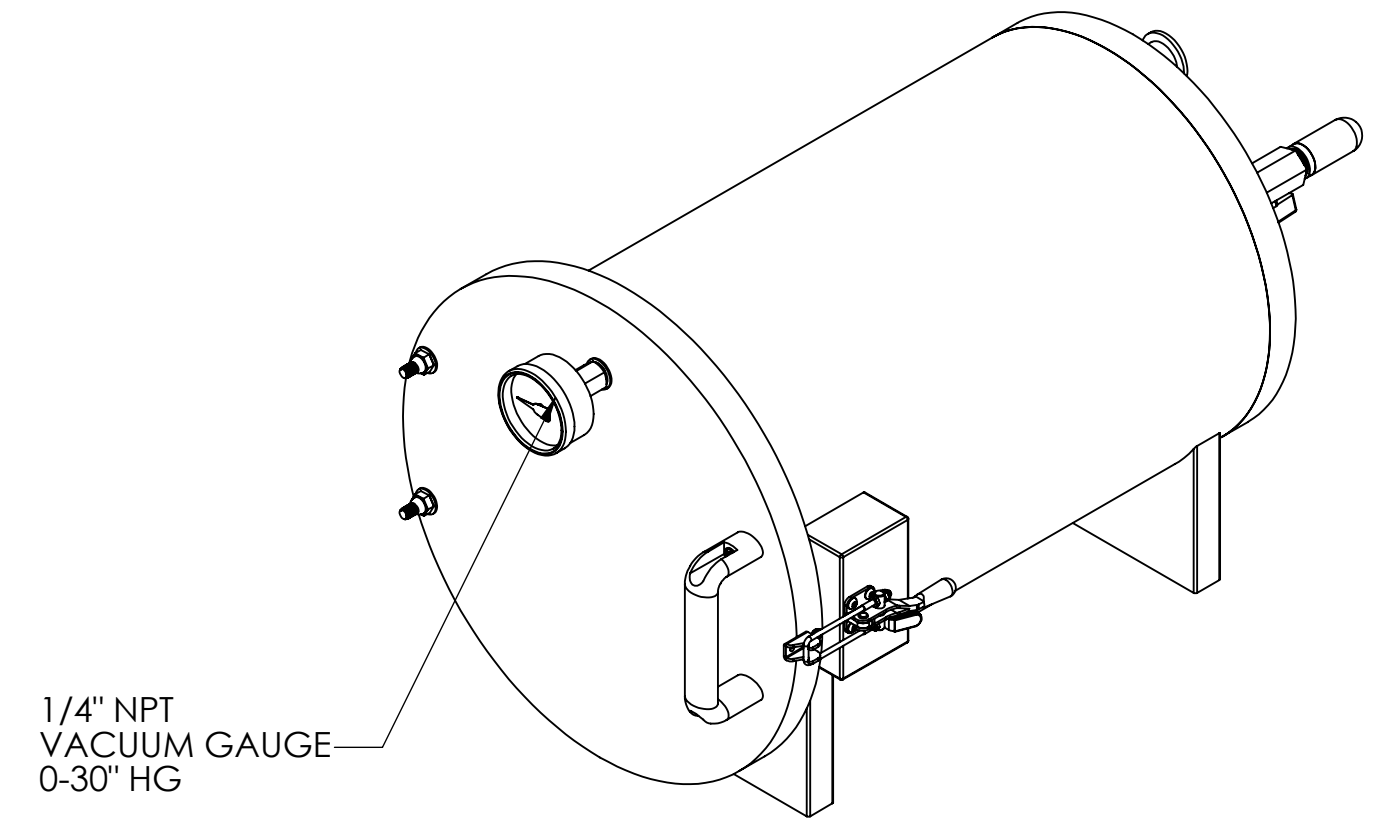
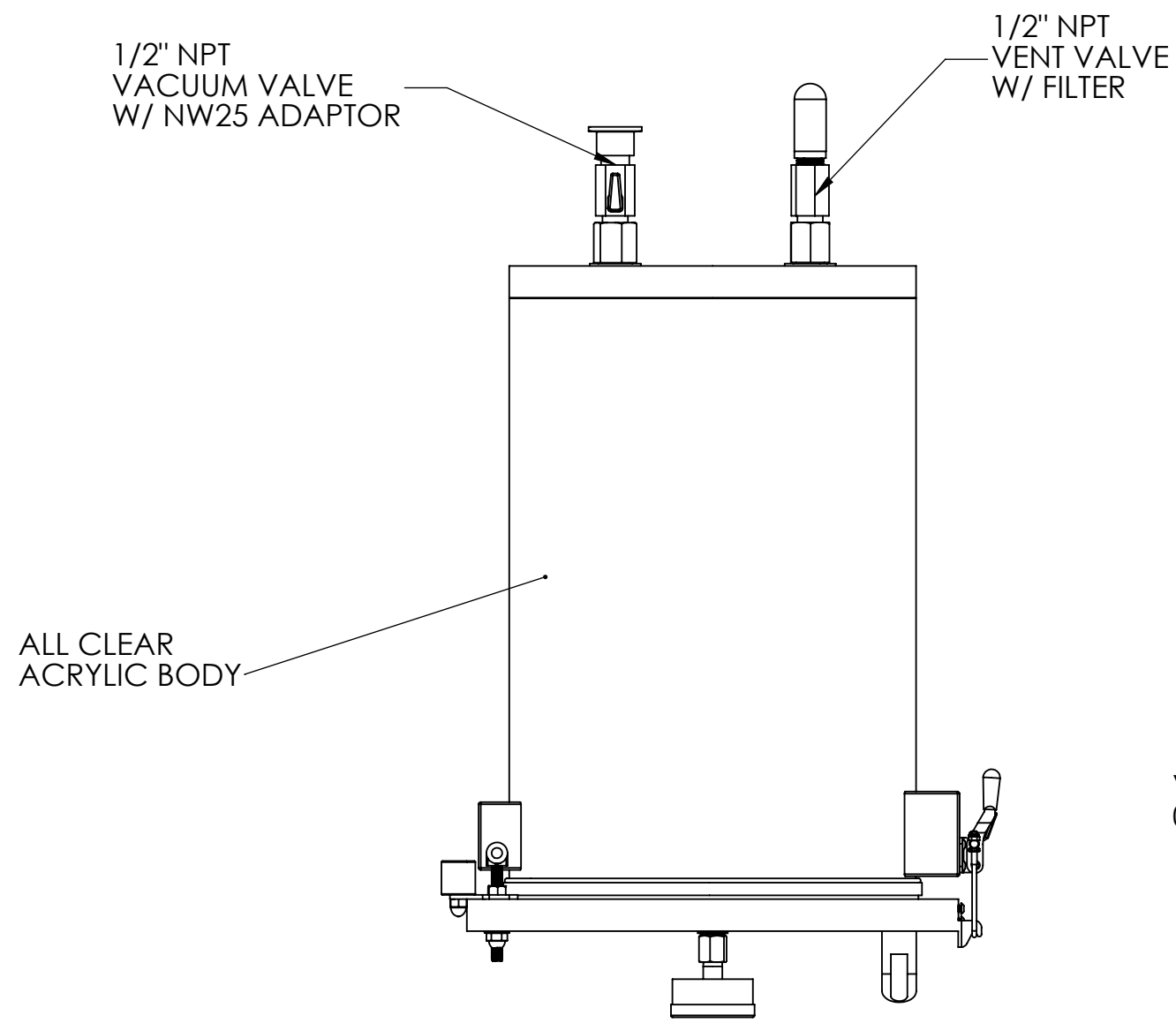


3	2	1	96629-M	A
REV.	LCO No.	DESCRIPTION	DATE	APPROVED
A	--	INITIAL RELEASE		MEC



LACO TECHNOLOGIES

UNLESS OTHERWISE SPECIFIED:
 DIMENSIONS ARE IN INCHES.
 TOLERANCES:
 FRACTIONAL: ±1/16"
 ANGULAR: MACH ±1° / BEND ±2°
 TWO PLACE DECIMAL: ±.01
 THREE PLACE DECIMAL: ±.005
 GEOMETRIC TOLERANCING PER ASME Y14.5M - 1994

NAME	DATE
DRAWN BY DVM	6/7/12
DESIGNED BY DVM	6/7/12
CHECKED BY MEC	6/7/12
ENG APPROVED MEC	6/7/12

PROPRIETARY AND CONFIDENTIAL
 THE INFORMATION CONTAINED IN THIS DRAWING IS THE SOLE PROPERTY OF LACO TECHNOLOGIES, INC. ANY REPRODUCTION IN PART OR AS A WHOLE WITHOUT THE WRITTEN PERMISSION OF LACO TECHNOLOGIES, INC., IS PROHIBITED.

TITLE:
12" X 18" ALL CLEAR HORIZONTAL ACRYLIC

LVC1218-1112-HC

DWG. NO. **96629-M** REV **A**

SCALE: 1:8 SIZE: C SHEET 1 OF 1