

LACO's AURA™ Compact is a versatile air leak tester offering a fast, accurate, and cost-effective solution to production leak testing applications. It is ideal for the cost-conscious manufacturer who requires optimal uptime, test flexibility, accuracy, data logging, and quick results. The AURA Compact can be used in an array of industries for leak testing a diverse range of parts.

2 YEAR WARRANTY ON LEAK TESTER

LIFETIME WARRANTY ON CALIBRATED LEAK STANDARD



FEATURES

- Five leak test methods: vacuum decay, pressure decay, differential pressure, mass flow, and mass flow differential
- < 0.1 scc/m (time and part size dependent), 24 bit A-D with 0.00001 psi resolution
- Micro-controller with 7.0" color touchscreen operator interface with user-friendly menus
- Built-in NIST traceable calibrated leak standard with lifetime warranty from our ISO/IEC 17025:2017 accredited calibration lab
- Up to 100 test recipes
- Move for date collection
- Automated part clamping/sealing
- Remote I/O control via DB-15

SPECIFICATIONS

COMPONENT	DESCRIPTION
CONTROL SYSTEM	Micro-controller with 7.0" color touchscreen
COMMUNICATION	Ethernet A + RS232 for remote control or bar code
TEST METHODS	Pressure and vacuum decay, differential pressure, mass flow, and mass flow differential
CHANNELS	1
TEST PRESSURE	Up to 100 psig
LEAK TEST SENSITIVITY	< 0.1 scc/m (time and part size dependent)
PRESSURE RESOLUTION	24 Bit A-D, 0.00001 psi resolution (0-100 psig full scale)
PNEUMATICS	Co} pressed air required (70-120 psin
DIMENSIONS/ MOUNTING	9" H x 12" W x 12" D (23 cm H x 30.5 cm x 30.5 cm D) with sloped front A M M
ELECTRICAL	90-250 VAC, 50/60 Hz, 250 watts, IEC C13 connection
CONTROL OPTIONS	Controller includes standard I/O (5 inputs, 7 outputs via DB-15 Connector 24 VDC logic)

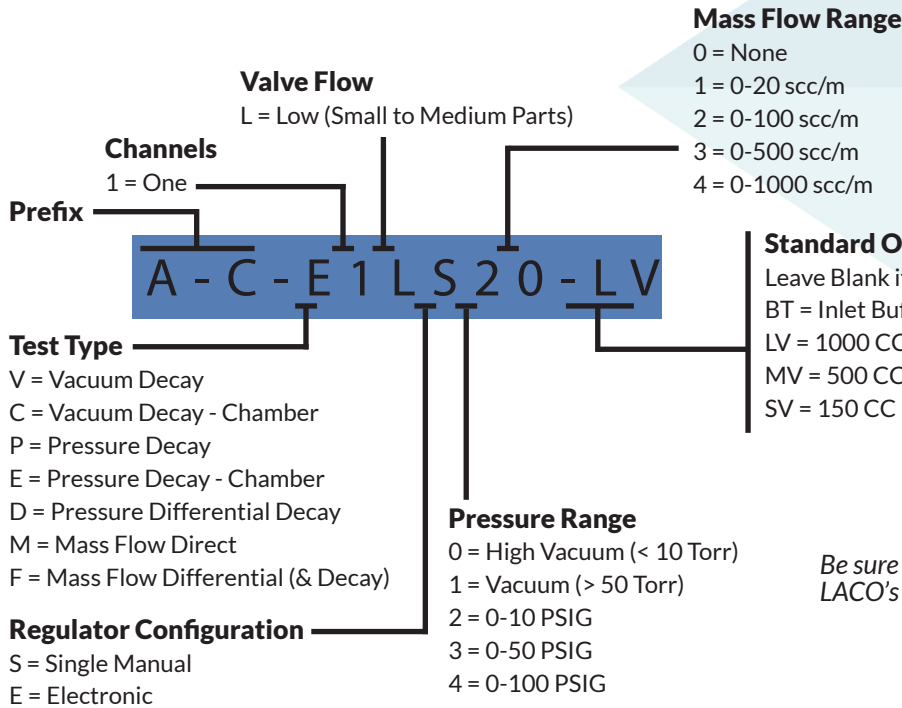
OPTIONS & ACCESSORIES

- Volume dump method for testing sealed (non-fillable) parts
- Electronic regulators
- Bar code reader
- 0-10Vdc or 0-5Vdc or 0-10Vdc or 0-5Vdc
- -10mV to 10mV

COMMUNICATION & DATA LOGGING

- 0-10Vdc or 0-5Vdc or 0-10Vdc or 0-5Vdc
- Enter test ID data manually or via optional bar code reader
- Test summary T T log to .csv file
- Retrieve data by SD card or RS232 connection
- 2-You-1-r-10=Builtom0? uvnum-01-u7

PART NUMBER MATRIX



Be sure to confirm the validity of part numbers with LACO's sales team before placing an order.

AURA™ COMPACT ACCESSORIES	
DESCRIPTION	PART NUMBER
Bar Code Reader for AURA™ Compact	LT-BC



LT-BC (bar code reader)

EXTERNAL OPEN-STYLE CALIBRATED LEAK STANDARDS FOR AURA™ COMPACT				
GAS	LEAK RATE	INLET PRESSURE	CONNECTION	PART NUMBER
Air	0.1 scc/m	25 psig	Straight, 10-32 Male	CM521.0-11009A0/3/25-2
Air	0.3 scc/m	25 psig	Straight, 10-32 Male	CM523.0-11009A0/3/25-2
Air	5 scc/m	25 psig	Straight, 10-32 Male	CM525.0-01009A0/3/25-2
Air	0.2 scc/m	25 psig	Straight, 10-32 Male	CM522.0-11009A0/3/25-2



10-32 thread open-style leak standard

(Many other leak standard configurations available including alternate leak rate values based on different pressure requirements. Quotes for custom configurations available upon request.)