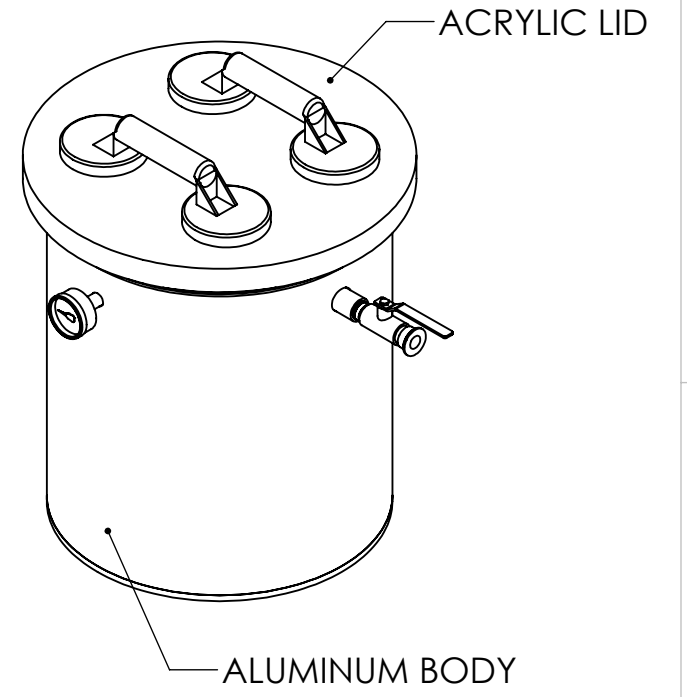
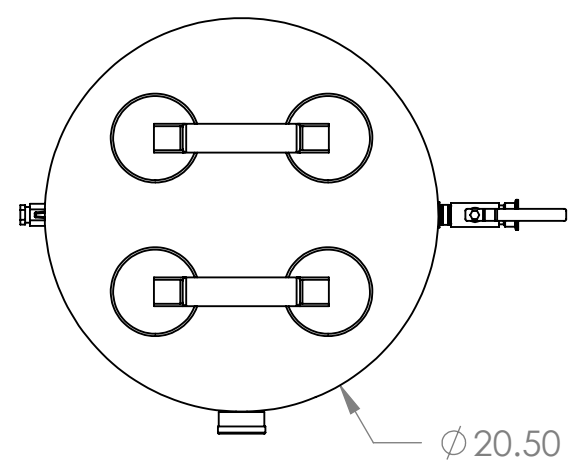


8 7 6 5 4 3 2 1

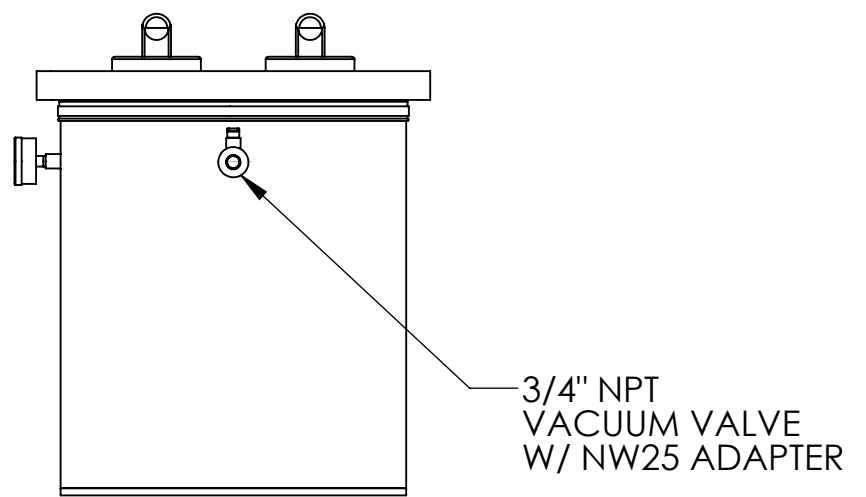
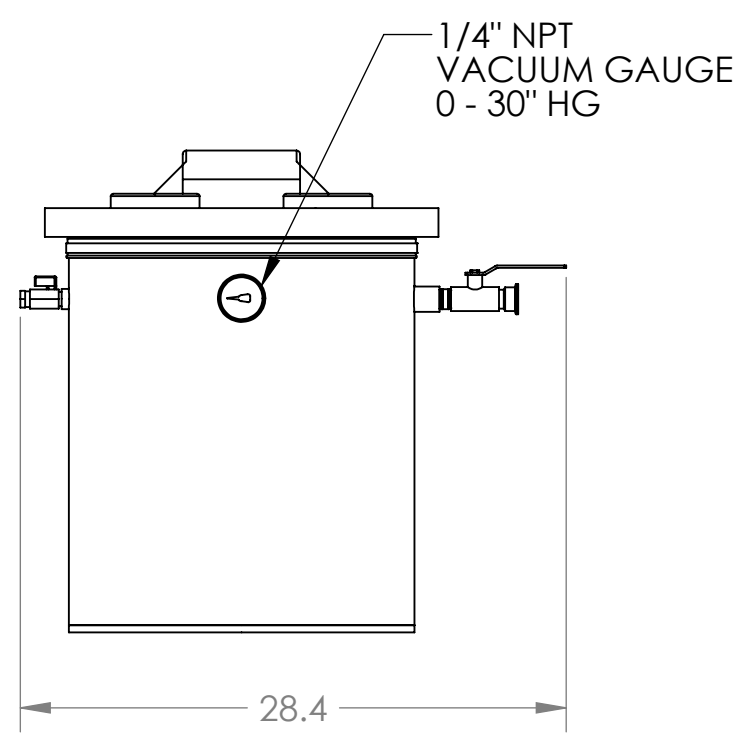
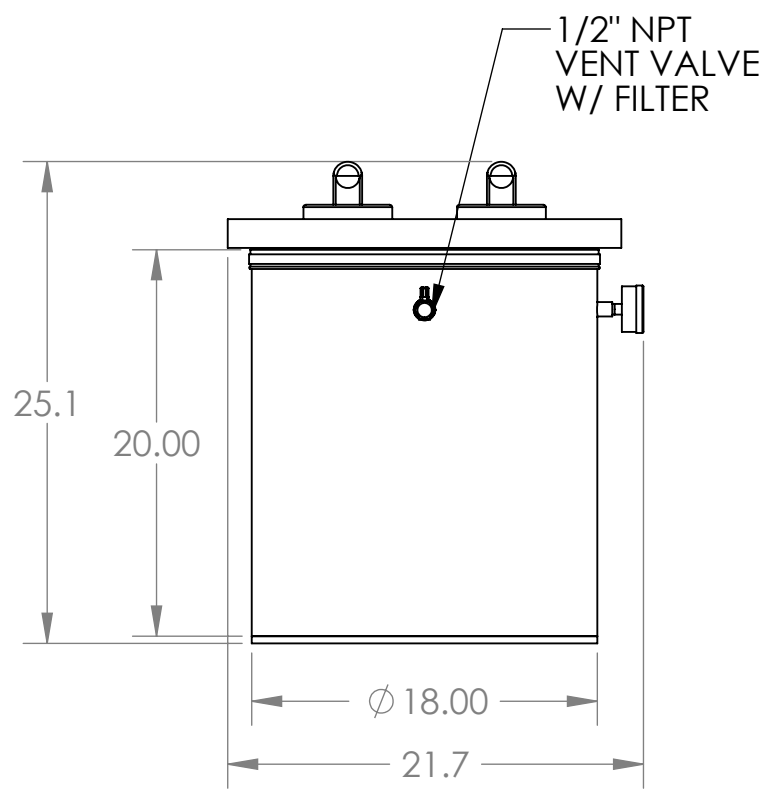
D

D



C

C



B

B

A

A



**PROPRIETARY AND CONFIDENTIAL**  
 THE INFORMATION CONTAINED IN THIS DRAWING IS THE SOLE PROPERTY OF LACO TECHNOLOGIES, INC. ANY REPRODUCTION IN PART OR AS A WHOLE WITHOUT THE WRITTEN PERMISSION OF LACO TECHNOLOGIES, INC., IS PROHIBITED.

	NAME	DATE
DRAWN	CSG	12/05/08
DESIGNED	DW	02/28/07
CHECKED	MEC	03/01/07
ENG APPR.	MEC	03/01/07

**UNLESS OTHERWISE SPECIFIED:**  
 DIMENSIONS ARE IN INCHES  
 TOLERANCES:  
 FRACTIONAL ±1/16"  
 ANGULAR: MACH ±1° BEND ±2°  
 TWO PLACE DECIMAL ±.010  
 THREE PLACE DECIMAL ±.005  
 GEOMETRIC TOLERANCING PER:  
 ANSI Y14.5M - 1982

TITLE:		
18" X 20" VERT ALUM, ACR LID [LVC1820-2111-VI]		
SIZE	DWG. NO.	REV
B	91570-M	A
SCALE: 1:10 WEIGHT: N/A		SHEET 1 OF 2

8 7 6 5 4 3 2 1