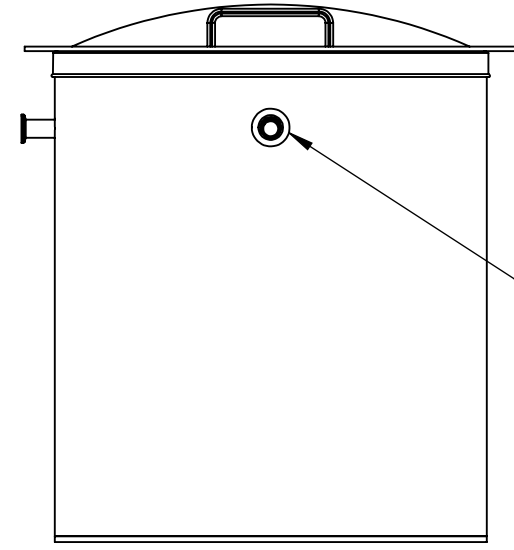
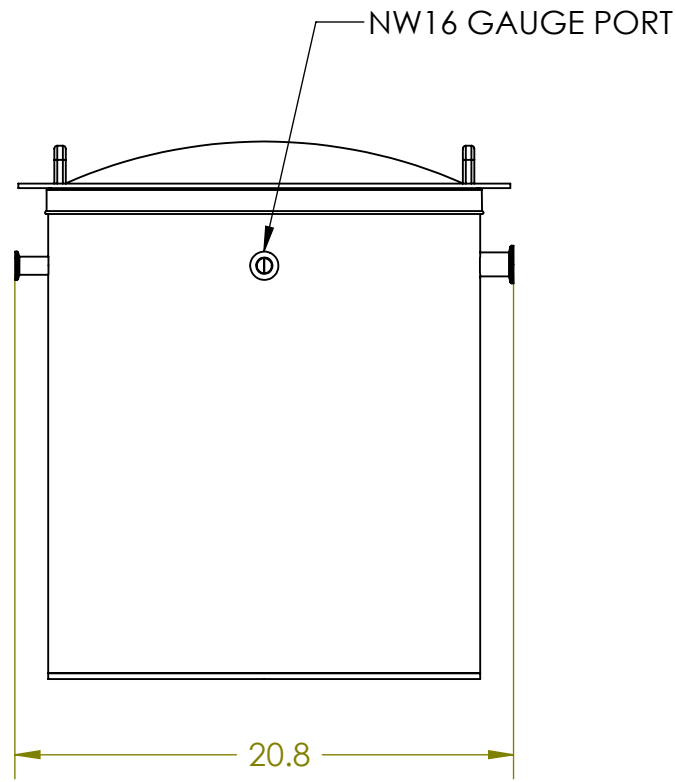
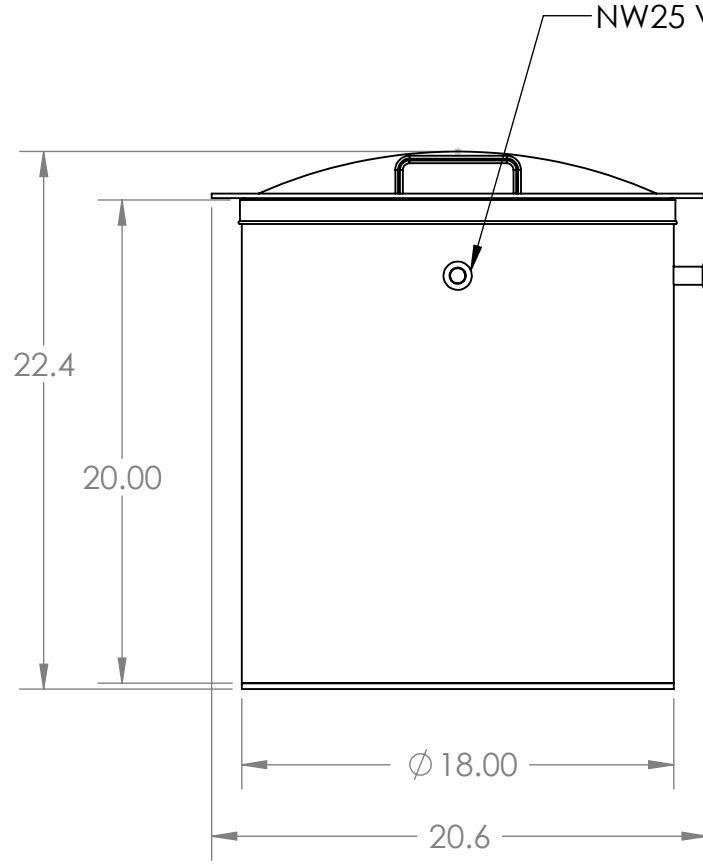


STAINLESS STEEL
BODY & LID

D
C
B
A

D
C
B
A



NW25 VACUUM PORT



PROPRIETARY AND CONFIDENTIAL
THE INFORMATION CONTAINED IN THIS DRAWING IS THE SOLE PROPERTY OF LACO TECHNOLOGIES, INC. ANY REPRODUCTION IN PART OR AS A WHOLE WITHOUT THE WRITTEN PERMISSION OF LACO TECHNOLOGIES, INC., IS PROHIBITED.

	NAME	DATE
DRAWN	CSG	12/04/07
DESIGNED	CSG	12/04/07
CHECKED	MEC	12/05/07
ENG APPR.	MEC	12/05/07

UNLESS OTHERWISE SPECIFIED:
DIMENSIONS ARE IN INCHES
TOLERANCES:
FRACTIONAL $\pm 1/16"$
ANGULAR: MACH $\pm 1^\circ$ BEND $\pm 2^\circ$
TWO PLACE DECIMAL $\pm .010$
THREE PLACE DECIMAL $\pm .005$
GEOMETRIC TOLERANCING PER:
ANSI Y14.5M - 1982

TITLE: 18" X 20" VERT, SS SS DISHED LID [VC1820-3311-VH]		
SIZE B	DWG. NO. 92090-M	REV A
SCALE: 1:8	WEIGHT: N/A	SHEET 1 OF 2

8

7

6

5

4

3

2

1

8

7

6

5

4

3

2

1