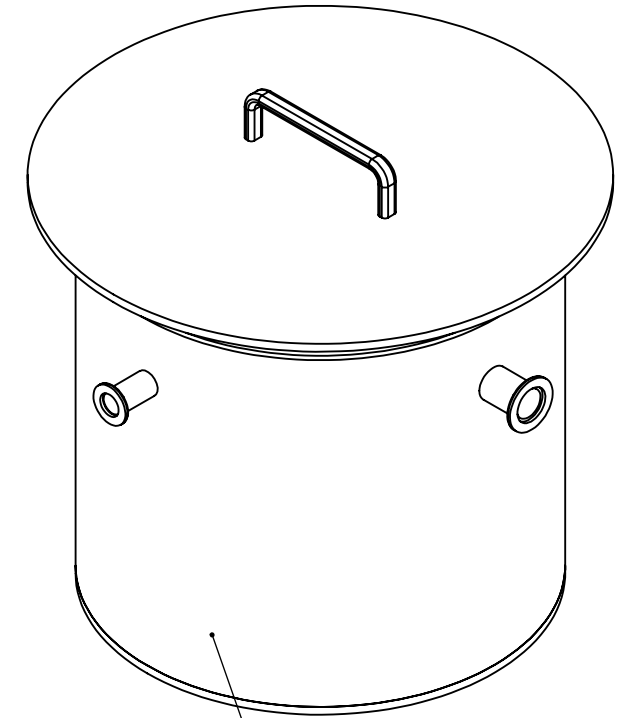


Ø 15.25

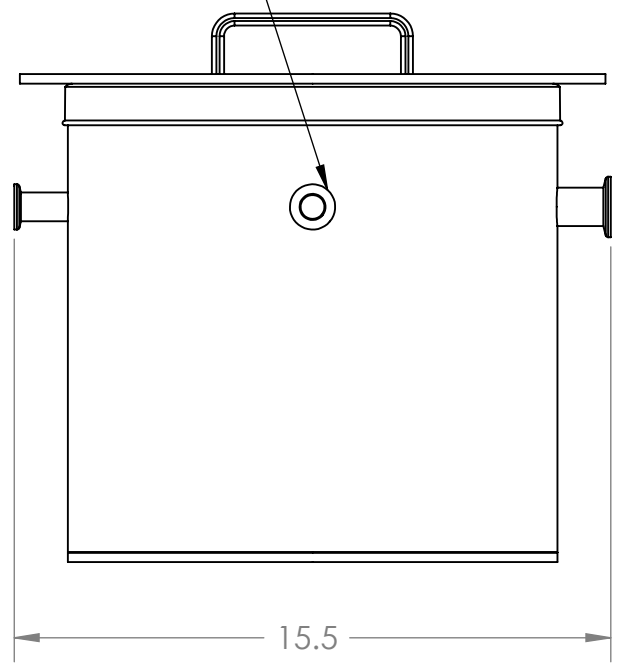
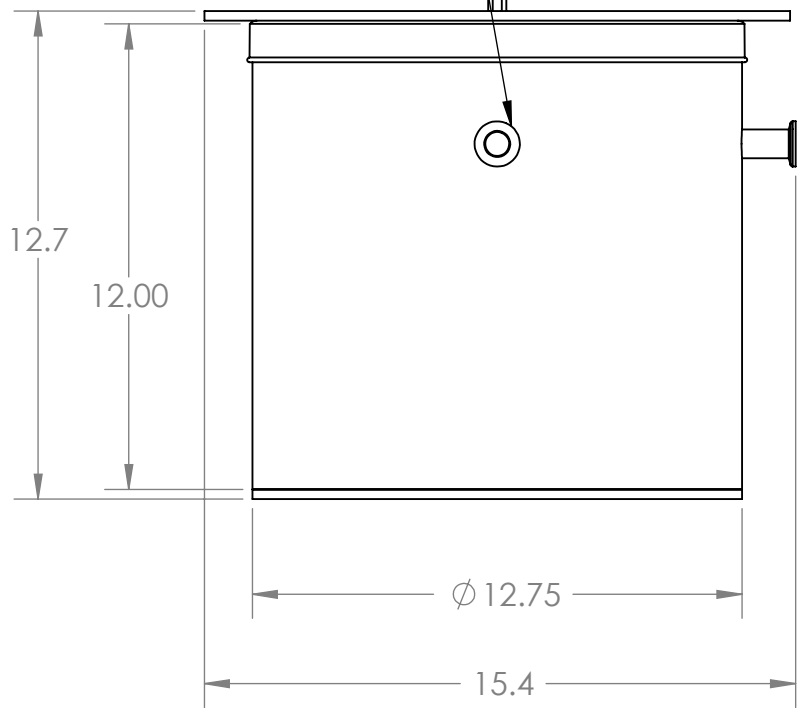


STAINLESS STEEL LID & BODY

NW25 VACUUM PORT

NW16 GAUGE PORT

NW16 VENT PORT



15.5



PROPRIETARY AND CONFIDENTIAL
 THE INFORMATION CONTAINED IN THIS DRAWING IS THE SOLE PROPERTY OF LACO TECHNOLOGIES, INC. ANY REPRODUCTION IN PART OR AS A WHOLE WITHOUT THE WRITTEN PERMISSION OF LACO TECHNOLOGIES, INC., IS PROHIBITED.

	NAME	DATE
DRAWN	CSG	11/19/07
DESIGNED	MEC	11/21/07
CHECKED	MEC	11/21/07
ENG APPR.	MEC	11/21/07

UNLESS OTHERWISE SPECIFIED:
 DIMENSIONS ARE IN INCHES
 TOLERANCES:
 FRACTIONAL ±1/16"
 ANGULAR: MACH ±1° BEND ±2°
 TWO PLACE DECIMAL ±.010
 THREE PLACE DECIMAL ±.005
 GEOMETRIC TOLERANCING PER:
 ANSI Y14.5M - 1982

TITLE:		
12" X 12" VERT, SS SS LID, VH		
LVC1212-3311-VH		
SIZE	DWG. NO.	REV
B	92063-M	A
SCALE: 1:8	WEIGHT: N/A	SHEET 1 OF 2