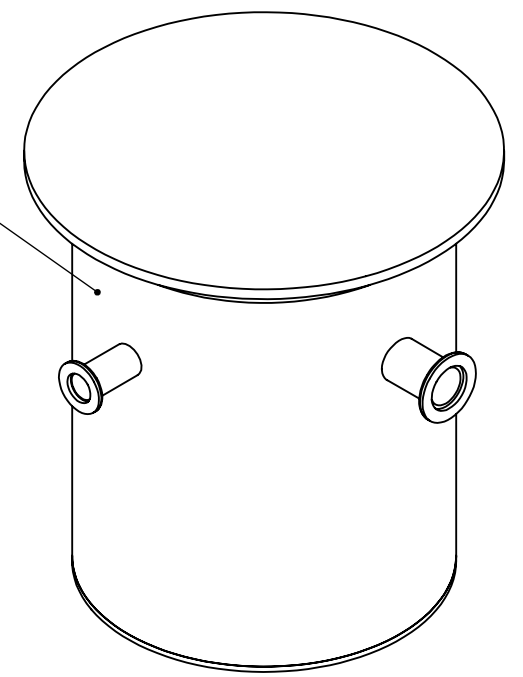
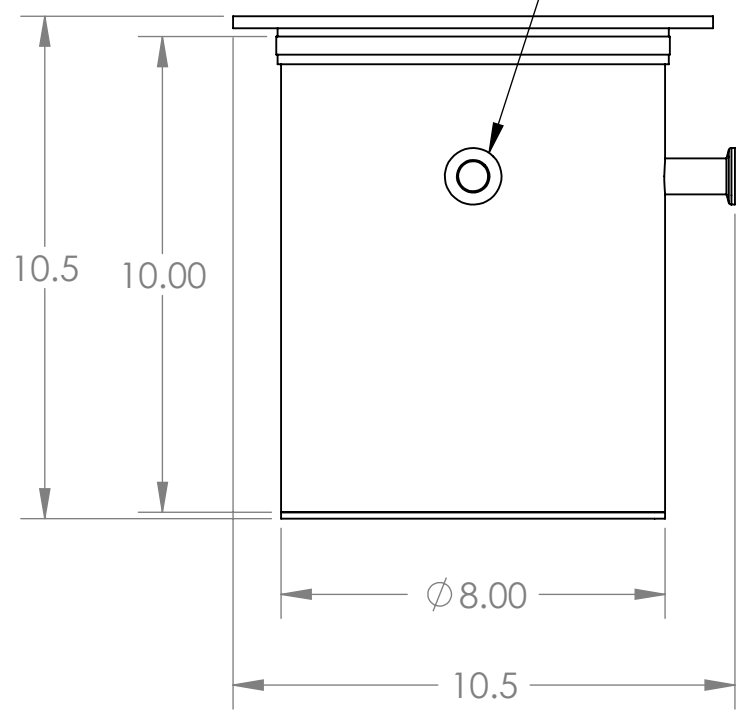


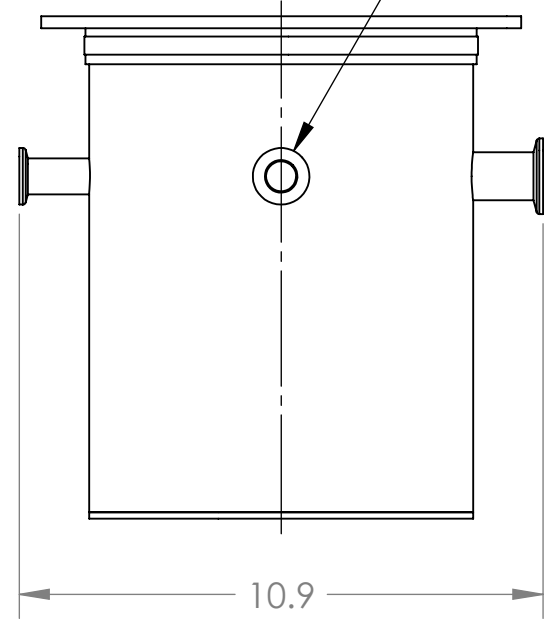
STAINLESS STEEL
LID & BODY



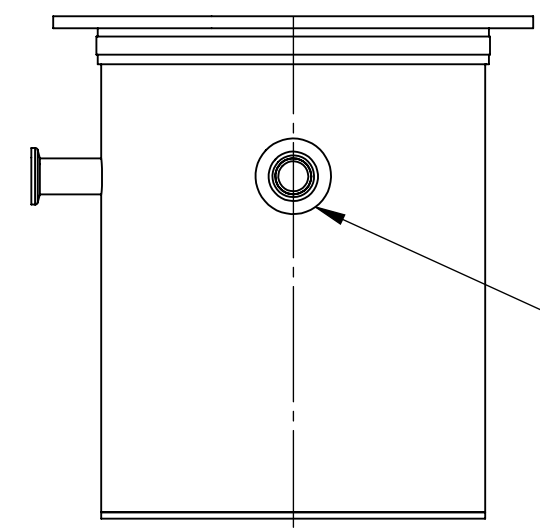
NW16
VENT PORT



NW16
GAUGE PORT



NW25
VACUUM PORT



PROPRIETARY AND CONFIDENTIAL

THE INFORMATION CONTAINED IN THIS DRAWING IS THE SOLE PROPERTY OF LACO TECHNOLOGIES, INC. ANY REPRODUCTION IN PART OR AS A WHOLE WITHOUT THE WRITTEN PERMISSION OF LACO TECHNOLOGIES, INC., IS PROHIBITED.

	NAME	DATE
DRAWN	DW	11/22/07
DESIGNED	DW	07/09/07
CHECKED	MEC	12/11/07
ENG APPR.	MEC	12/11/07

UNLESS OTHERWISE SPECIFIED:
DIMENSIONS ARE IN INCHES
TOLERANCES:
FRACTIONAL ±1/16"
ANGULAR: MACH ±1° BEND ±2°
TWO PLACE DECIMAL ±.010
THREE PLACE DECIMAL ±.005
GEOMETRIC TOLERANCING PER:
ANSI Y14.5M - 1982

TITLE:		
8" X 10" VERT, SS SS LID, HI VAC LVC0810-3311-VH		
SIZE	DWG. NO.	REV
B	91822-M	A
SCALE: 1:4	WEIGHT: N/A	SHEET 1 OF 2