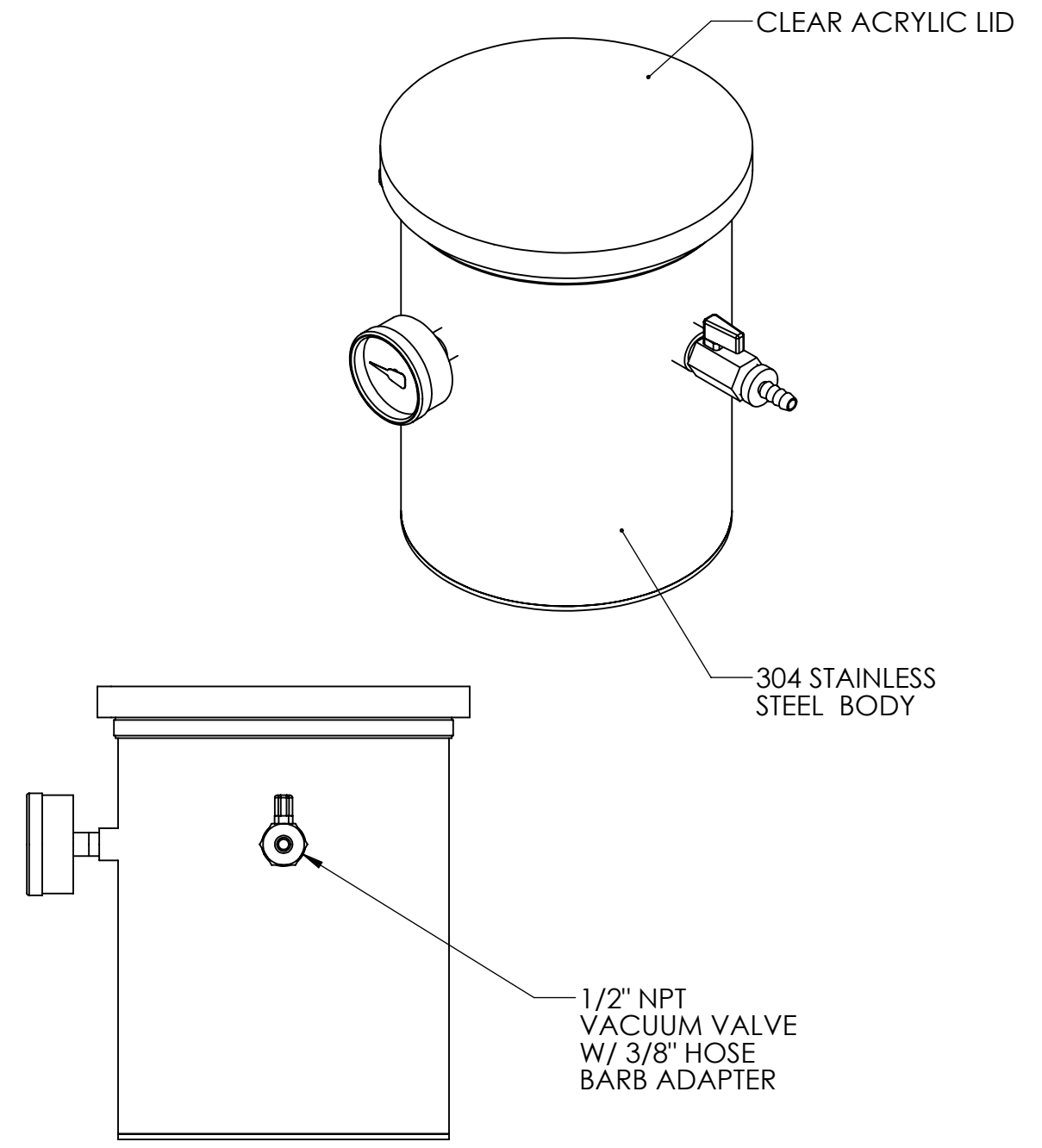
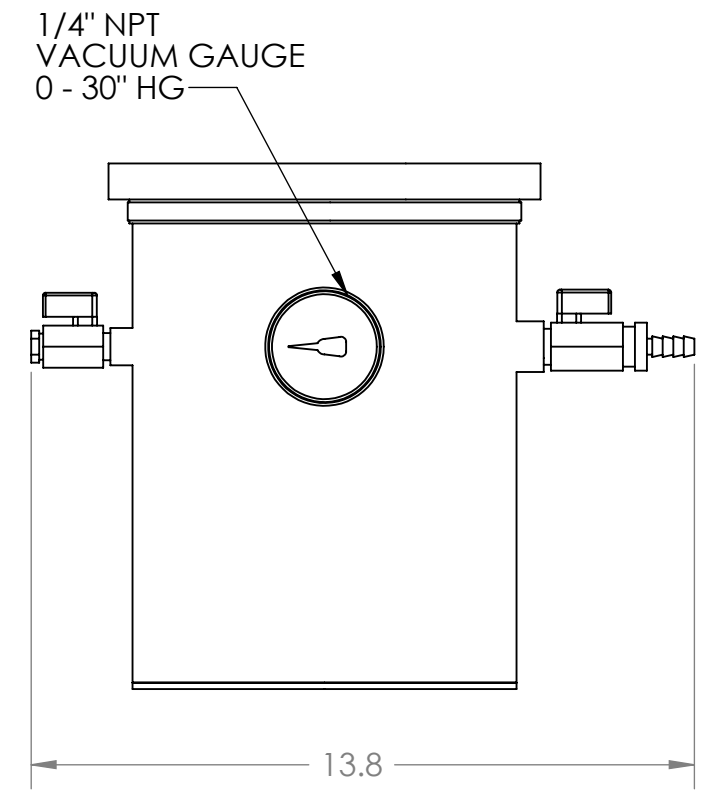
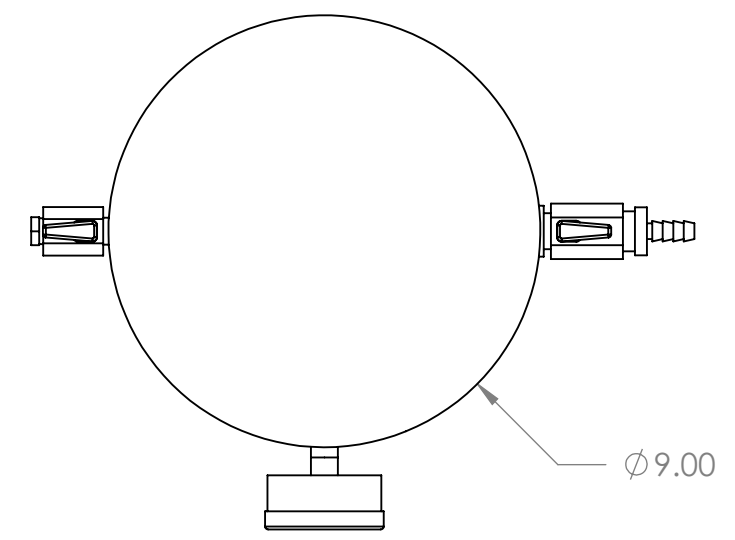
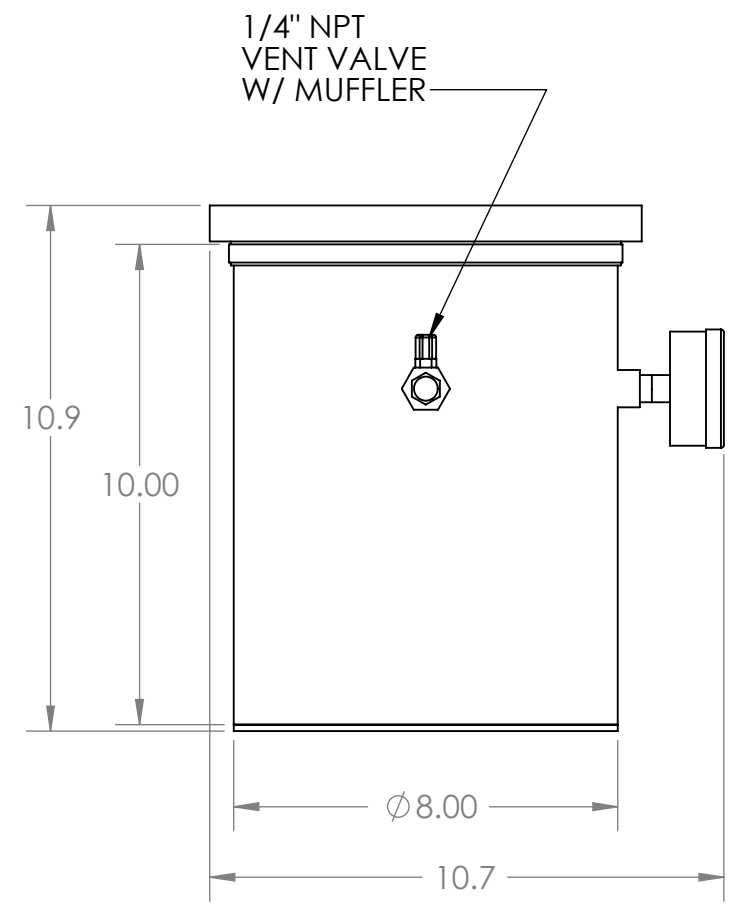


8 7 6 5 4 3 2 1

D  
C  
B  
A

D  
C  
B  
A



**PROPRIETARY AND CONFIDENTIAL**

THE INFORMATION CONTAINED IN THIS DRAWING IS THE SOLE PROPERTY OF LACO TECHNOLOGIES, INC. ANY REPRODUCTION IN PART OR AS A WHOLE WITHOUT THE WRITTEN PERMISSION OF LACO TECHNOLOGIES, INC., IS PROHIBITED.

	NAME	DATE
DRAWN	CSG	11/16/07
DESIGNED	BGR	12/13/05
CHECKED	MEC	11/17/07
ENG APPR.	MEC	11/17/07

**UNLESS OTHERWISE SPECIFIED:**  
 DIMENSIONS ARE IN INCHES  
 TOLERANCES:  
 FRACTIONAL ±1/16"  
 ANGULAR: MACH ±1° BEND ±2°  
 TWO PLACE DECIMAL ±.010  
 THREE PLACE DECIMAL ±.005  
 GEOMETRIC TOLERANCING PER:  
 ANSI Y14.5M - 1982

TITLE:		
8" X 10" VERT, SS ACRYLIC LID		
LVC0810-3111-VI		
SIZE	DWG. NO.	REV
B	92058-M	A
SCALE: 1:4	WEIGHT: N/A	SHEET 1 OF 2

8 7 6 5 4 3 2 1