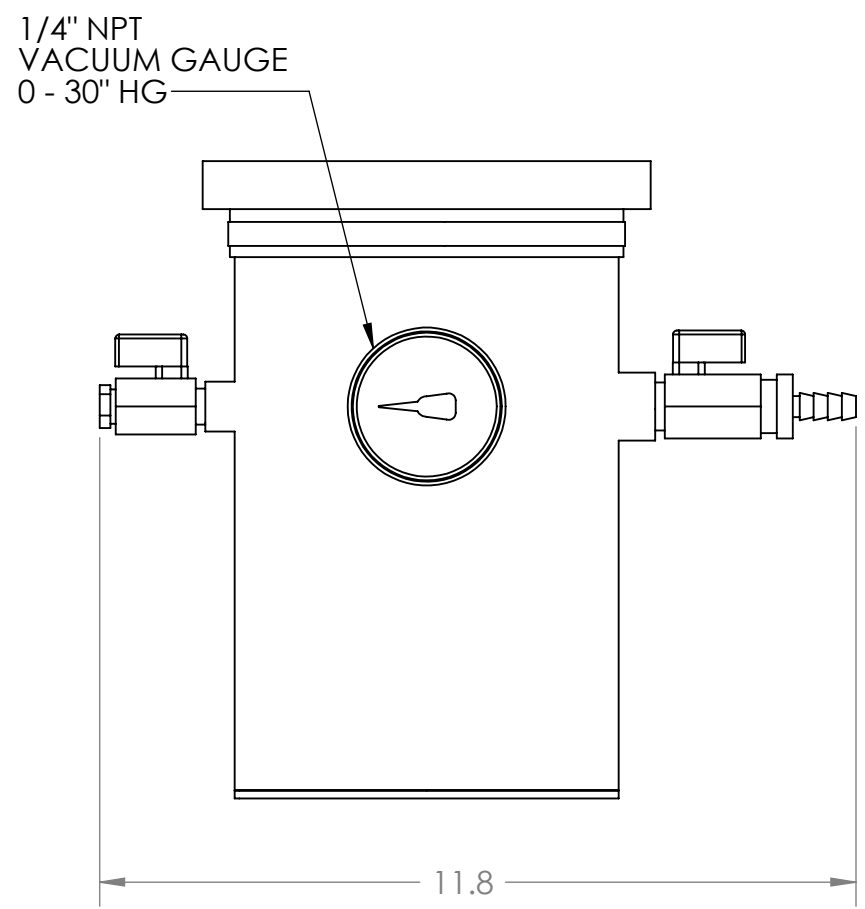
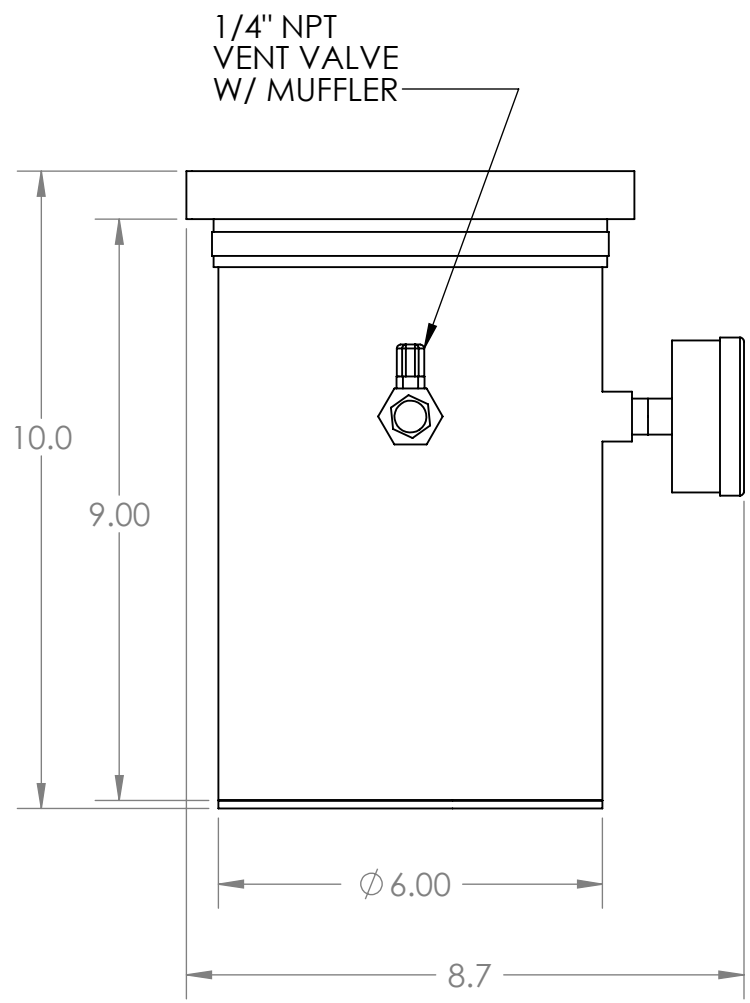
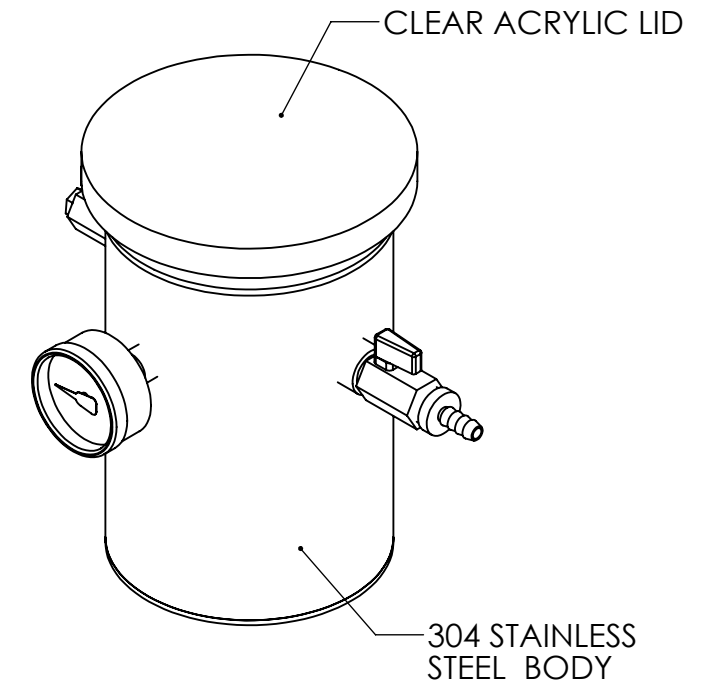
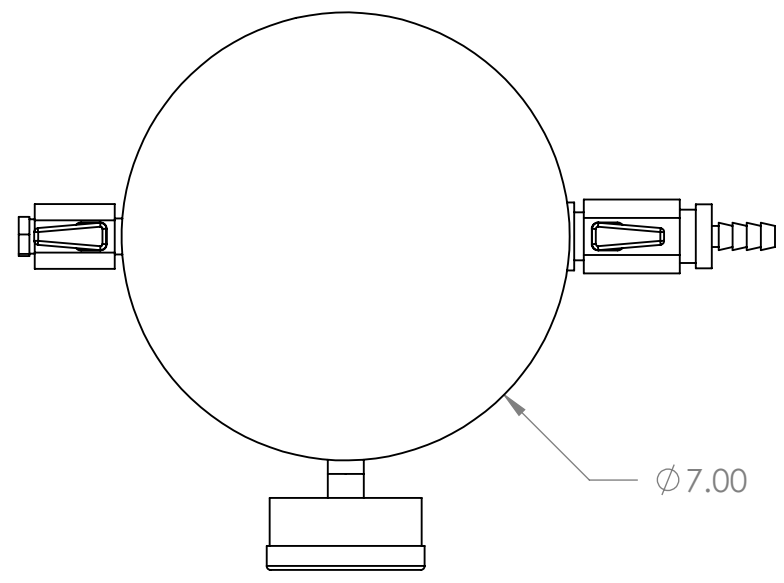


8 7 6 5 4 3 2 1

D
C
B
A

D
C
B
A



PROPRIETARY AND CONFIDENTIAL

THE INFORMATION CONTAINED IN THIS DRAWING IS THE SOLE PROPERTY OF LACO TECHNOLOGIES, INC. ANY REPRODUCTION IN PART OR AS A WHOLE WITHOUT THE WRITTEN PERMISSION OF LACO TECHNOLOGIES, INC., IS PROHIBITED.

	NAME	DATE
DRAWN	CSG	11/15/07
DESIGNED	CSG	11/15/07
CHECKED	MEC	11/17/07
ENG APPR.	MEC	11/17/07

UNLESS OTHERWISE SPECIFIED:
 DIMENSIONS ARE IN INCHES
 TOLERANCES:
 FRACTIONAL ±1/16"
 ANGULAR: MACH ±1° BEND ±2°
 TWO PLACE DECIMAL ±.010
 THREE PLACE DECIMAL ±.005
 GEOMETRIC TOLERANCING PER:
 ANSI Y14.5M - 1982

TITLE:		
6" X 9" VERT, SS ACRYLIC LID		
LVC0609-3111-VI		
SIZE	DWG. NO.	REV
B	91815-M	A
SCALE: 1:4	WEIGHT: N/A	SHEET 1 OF 2

8 7 6 5 4 3 2 1