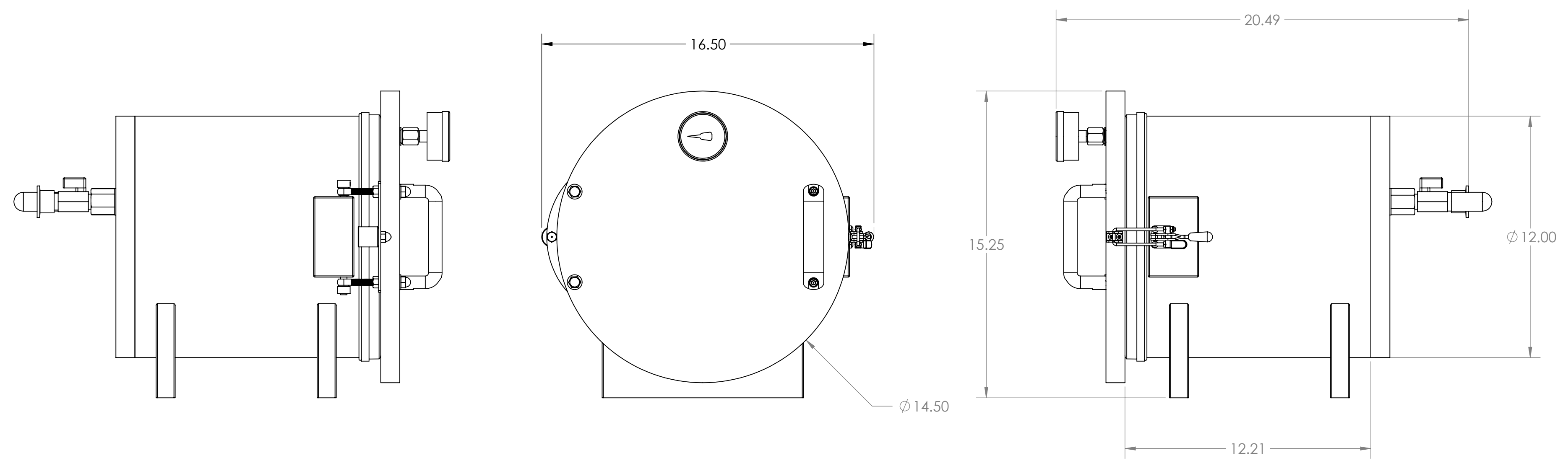
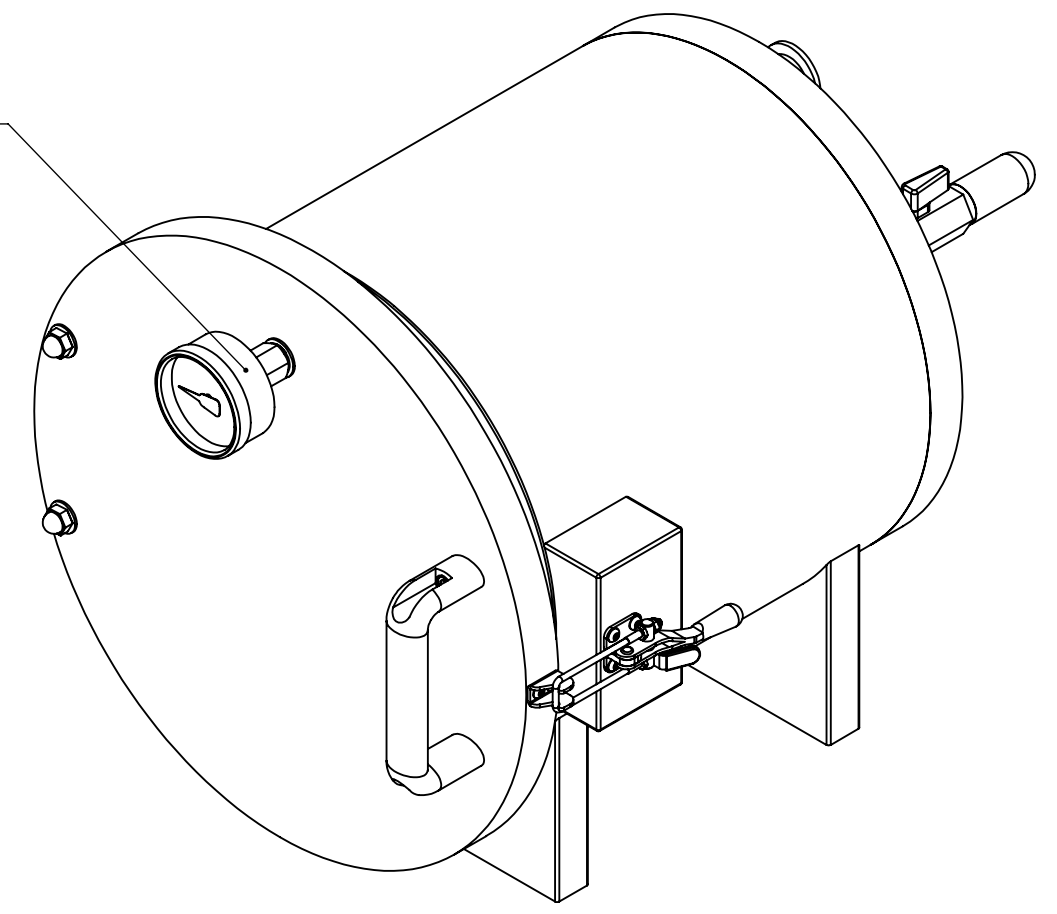
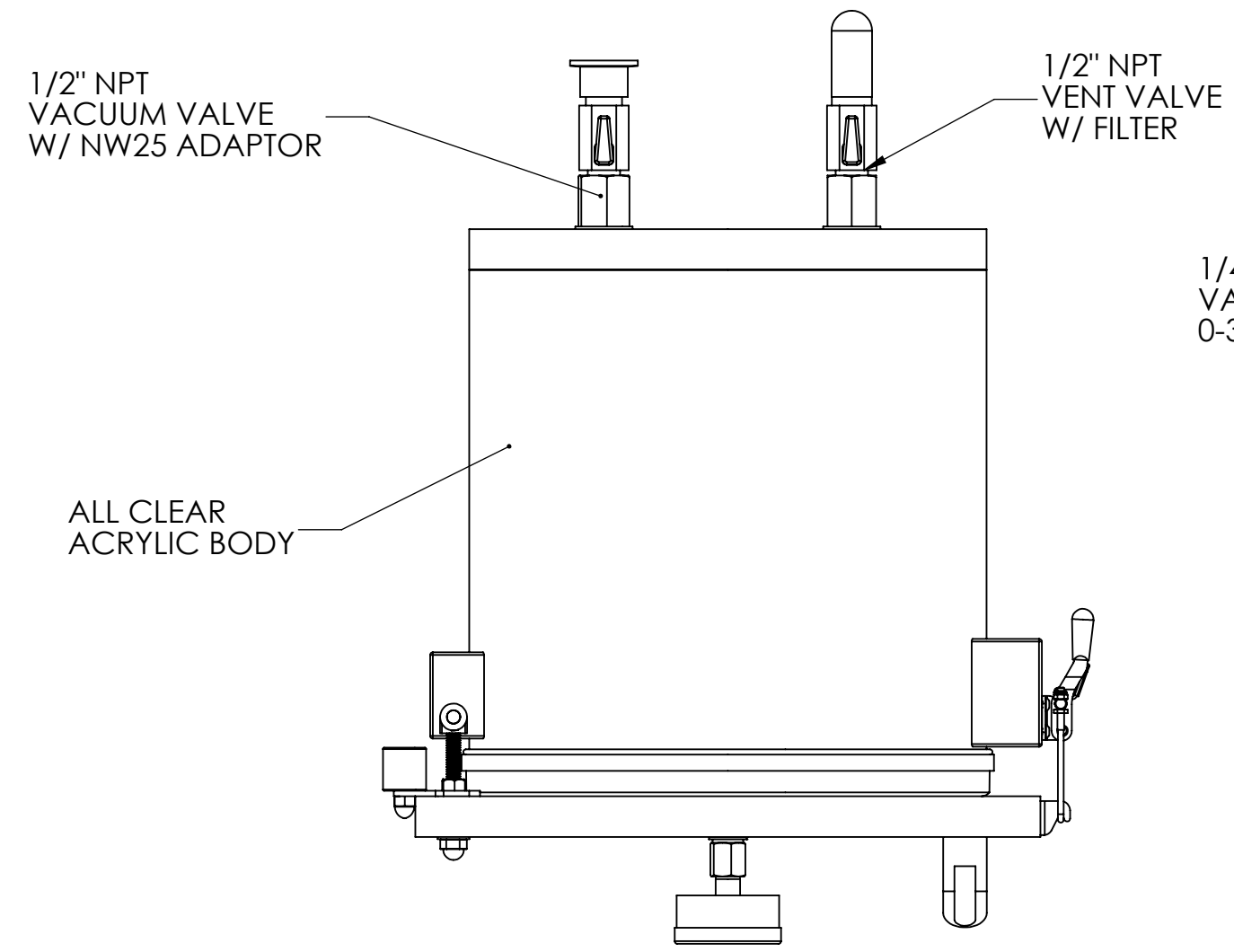


REV.	LCO No.	DESCRIPTION	DATE	APPROVED
A	--	INITIAL RELEASE		MEC



**LACO TECHNOLOGIES**

UNLESS OTHERWISE SPECIFIED:  
 DIMENSIONS ARE IN INCHES.  
 TOLERANCES:  
 FRACTIONAL: ±1/16"  
 ANGULAR: MACH ±1° / BEND ±2°  
 TWO PLACE DECIMAL: ±.01  
 THREE PLACE DECIMAL: ±.005  
 GEOMETRIC TOLERANCING PER ASME Y14.5M - 1994

DRAWN BY	DVM	NAME	DVM	DATE	6/6/12
DESIGNED BY	DVM	NAME	DVM	DATE	6/6/12
CHECKED BY	MEC	NAME	MEC	DATE	6/6/12
ENG APPROVED	MEC	NAME	MEC	DATE	6/6/12

PROPRIETARY AND CONFIDENTIAL  
 THE INFORMATION CONTAINED IN THIS DRAWING IS THE SOLE PROPERTY OF LACO TECHNOLOGIES, INC. ANY REPRODUCTION IN PART OR AS A WHOLE WITHOUT THE WRITTEN PERMISSION OF LACO TECHNOLOGIES, INC., IS PROHIBITED.

TITLE:  
**12" X 12" ALL CLEAR HORIZONTAL CHAMBER**

LVC1212-1112-HC

DWG. NO.  
**95496-M**

REV  
**A**

SCALE: 1:4    SIZE: C    SHEET 1 OF 1