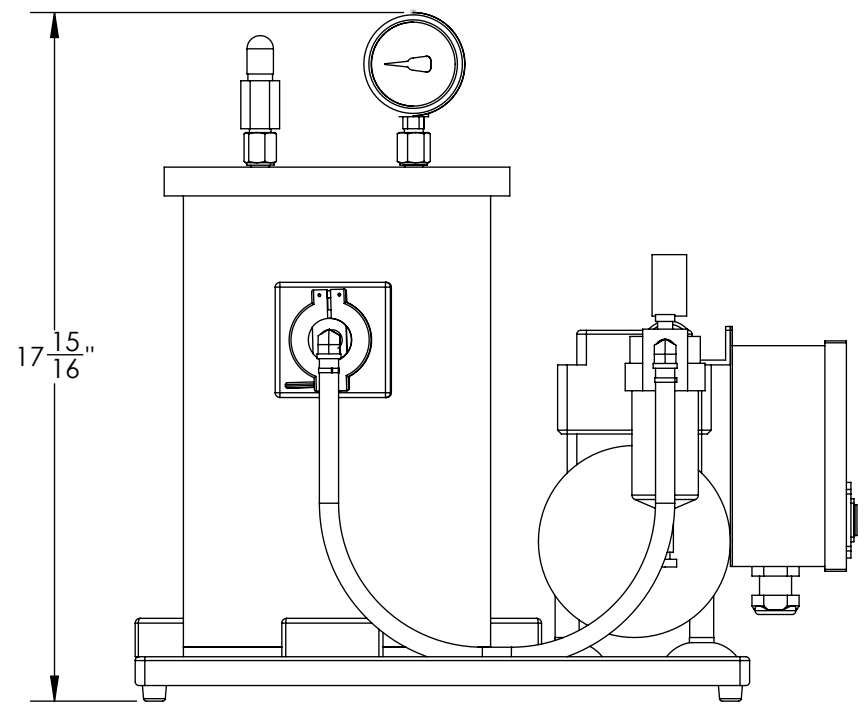
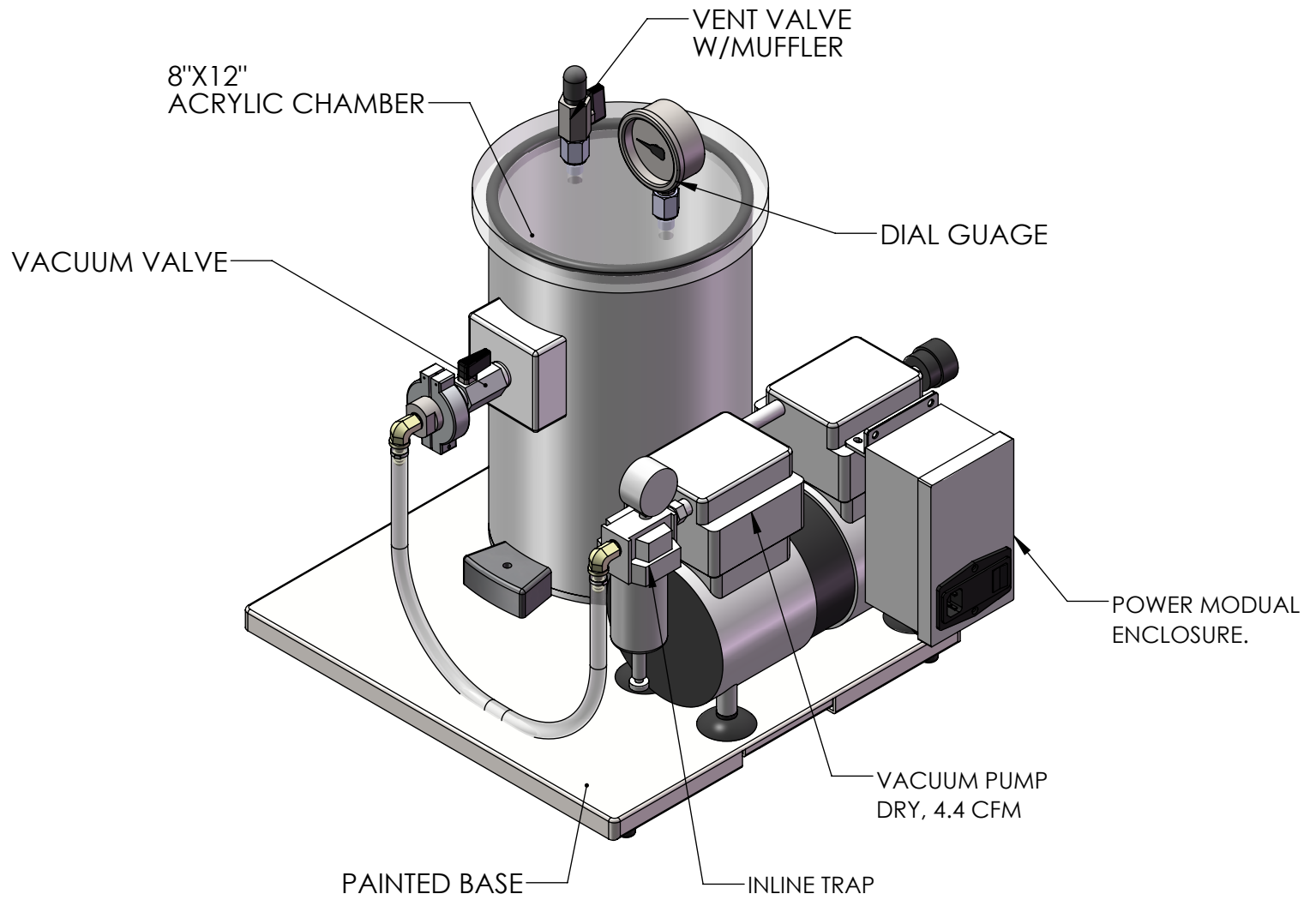
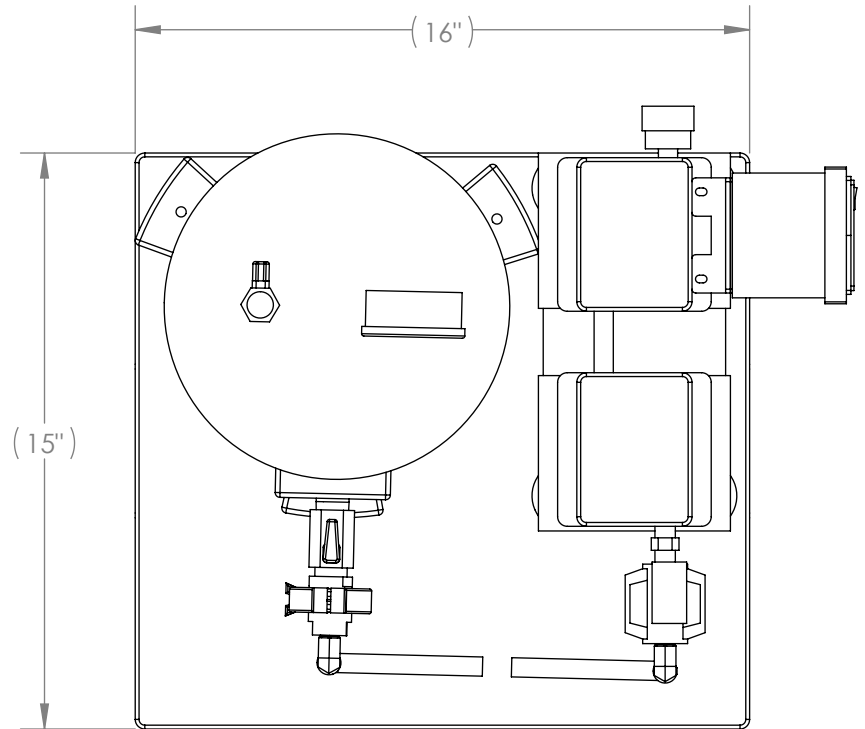


REV.	LCO No.	DESCRIPTION	DATE	APPROVED
A	---	INITIAL RELEASE	-----	---
B		UPDATED TO NEW DESIGN	12/4/2017	ABS



NOTES:
1. SYSTEM TYPE: ACRYLIC.



UNLESS OTHERWISE SPECIFIED:
DIMENSIONS ARE IN INCHES.
TOLERANCES:
FRACTIONAL: ±1/16"
ANGULAR: MACH ±1° / BEND ±2°
TWO PLACE DECIMAL: ±.01
THREE PLACE DECIMAL: ±.005
GEOMETRIC TOLERANCING PER
ASME Y14.5M - 2009

PROPRIETARY AND CONFIDENTIAL
THE INFORMATION CONTAINED IN THIS
DRAWING IS THE SOLE PROPERTY OF LACO
TECHNOLOGIES, INC.. ANY
REPRODUCTION IN PART OR AS A WHOLE
WITHOUT THE WRITTEN PERMISSION OF
LACO TECHNOLOGIES, INC., IS PROHIBITED.

VDS081203, 8X12 ACRYLIC DEGAS TABLE TOP		
DRAWN BY	DVM	DATE 5/14/14
APPROVED BY	MEC	5/14/14
DWG. NO.	103111_M	REV B
SCALE: 1:5	SIZE: B	SHEET 1 OF 1