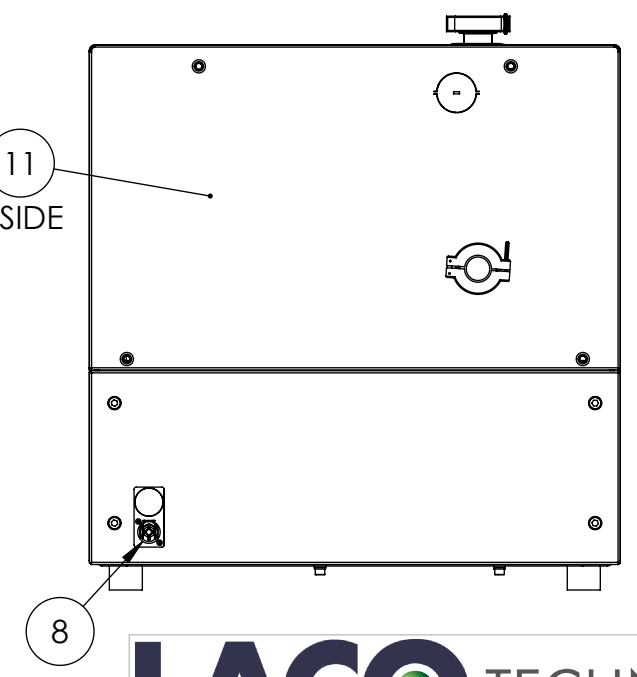
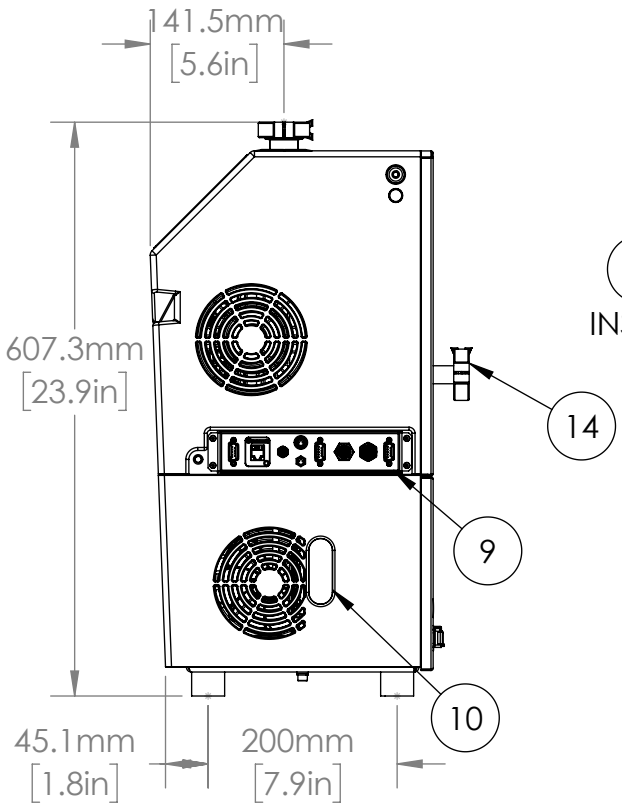
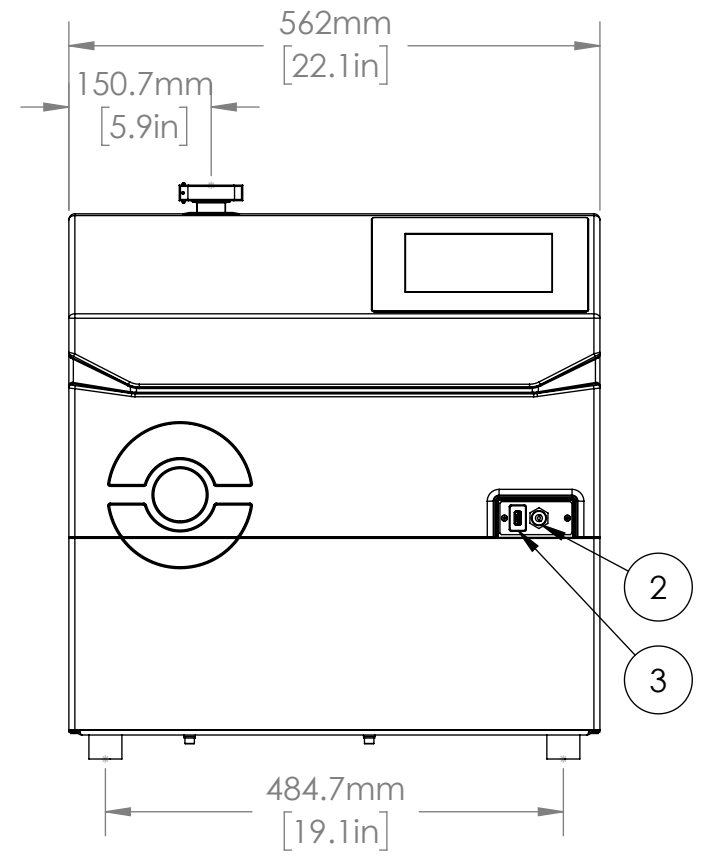
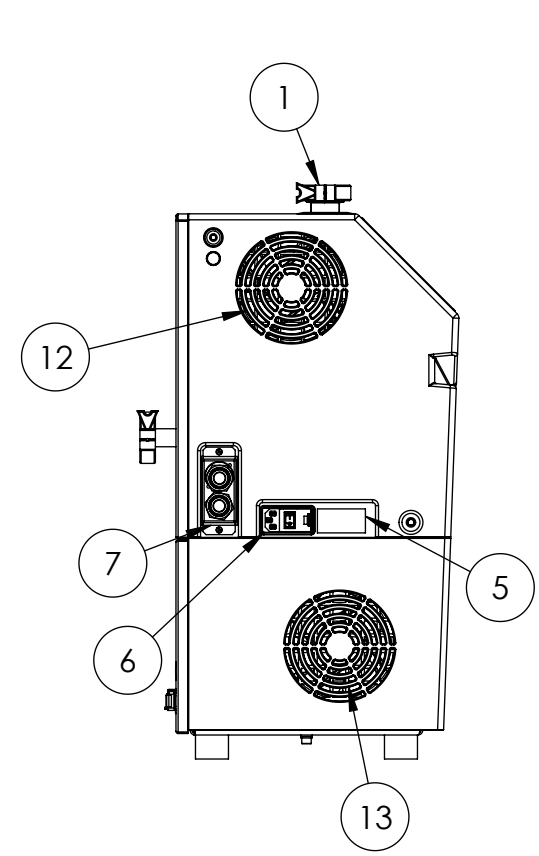
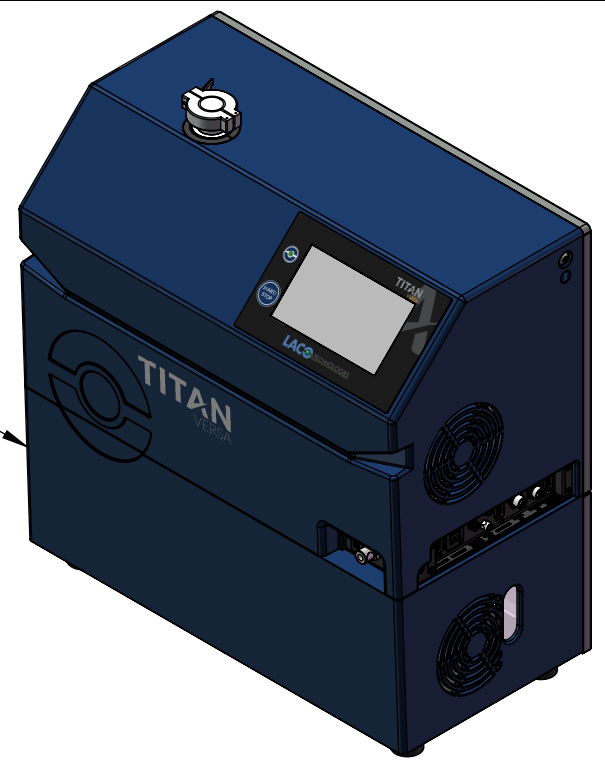
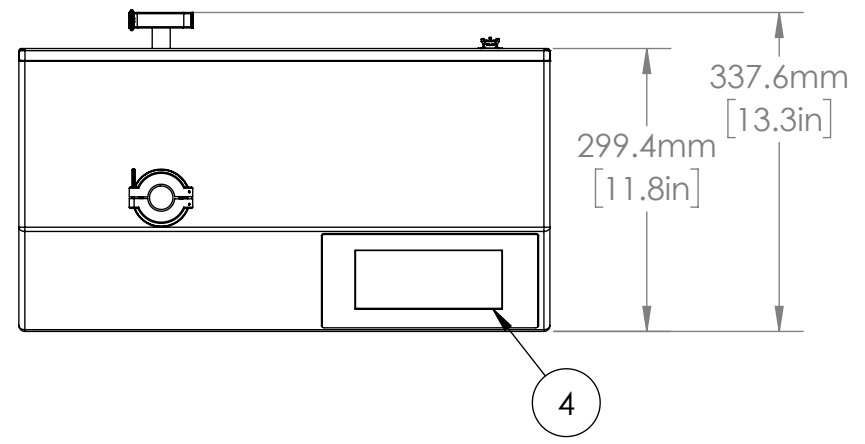


ID	FEATURE
1	VACUUM TEST PORT
2	SMELL TEST PORT
3	USB PORT
4	DISPLAY & CYCLE START BUTTON
5	PRODUCT LABEL
6	POWER ENTRY MODULE
7	MULTI-USE PORTS - AREA 1
8	MULTI-USE PORTS - AREA 2
9	ELECTRICAL INTERFACE
10	OIL SIGHT GLASS
11	OIL FILL AREA
12	FAN INLET WITH FILTER
13	PUMP FAN WITH FILTER
14	SECONDARY EXTERNAL PUMP PORT (FOR HIGH-FLOW)

REV.	LCO No.	DESCRIPTION	DATE	APPROVED
A	1507	INITIAL RELEASE	7/14/20	ABS



NOTES:

- SYSTEM WEIGHTS- KG(LB)
 - WET PUMP VERSION: 44 (97)
 - DRY PUMP VERSION: 42 (93)
- SEE OPERATIONS MANUAL FOR MORE DETAIL



UNLESS OTHERWISE SPECIFIED:		
DIMENSIONS ARE IN INCHES.		
TOLERANCES:		
FRACTIONAL: ±1/16"		
ANGULAR: MACH ±1° / BEND ±2°		
ONE PLACE DECIMAL: ±.05		
TWO PLACE DECIMAL: ±.01		
THREE PLACE DECIMAL: ±.005		
GEO TOLERANCING: ASME Y14.5M - 2009		
PROPRIETARY AND CONFIDENTIAL THE INFORMATION CONTAINED IN THIS DRAWING IS THE SOLE PROPERTY OF LACO TECHNOLOGIES, INC. ANY REPRODUCTION IN PART OR AS A WHOLE WITHOUT THE WRITTEN PERMISSION OF LACO TECHNOLOGIES, INC., IS PROHIBITED.		
TITAN VERSA T CONFIGURATION		
DRAWN BY	NAME	DATE
SEE ABAS FOR APPROVER	ABS	6/26/2020
DWG. NO.	REV	
117311	A	
SCALE: 1:8	SIZE: B	SHEET 1 OF 1