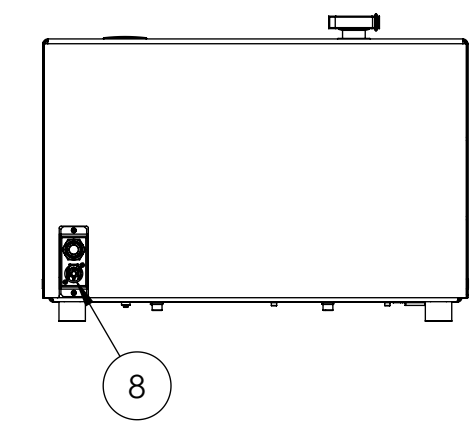
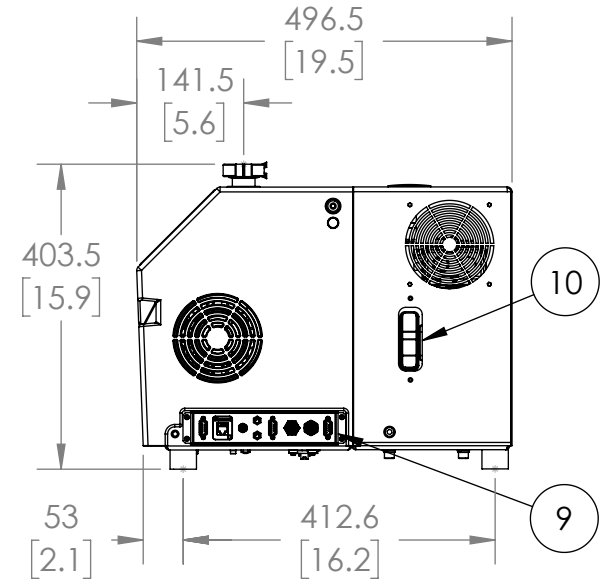
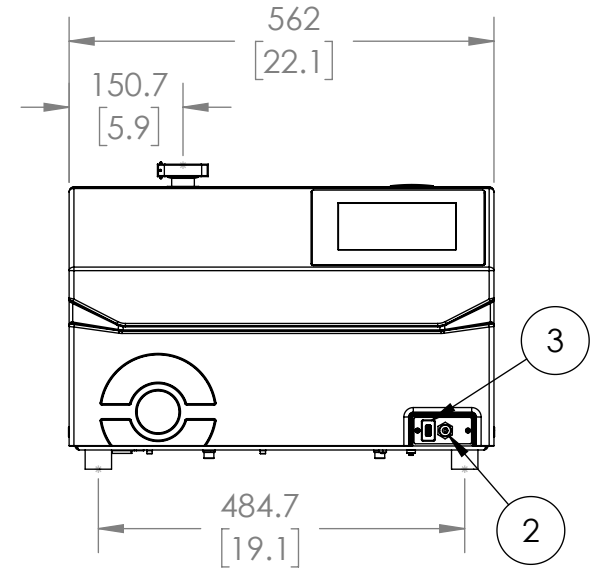
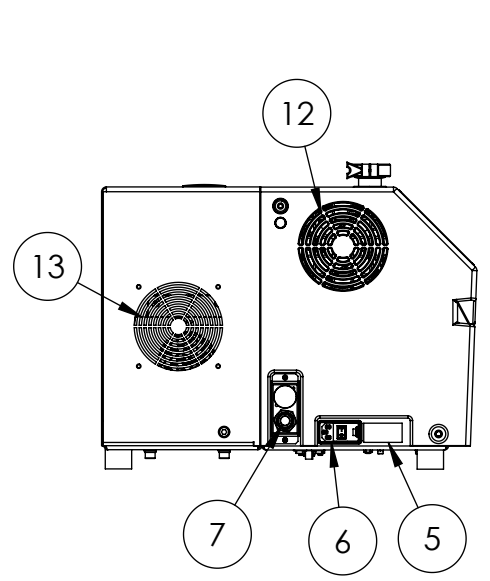
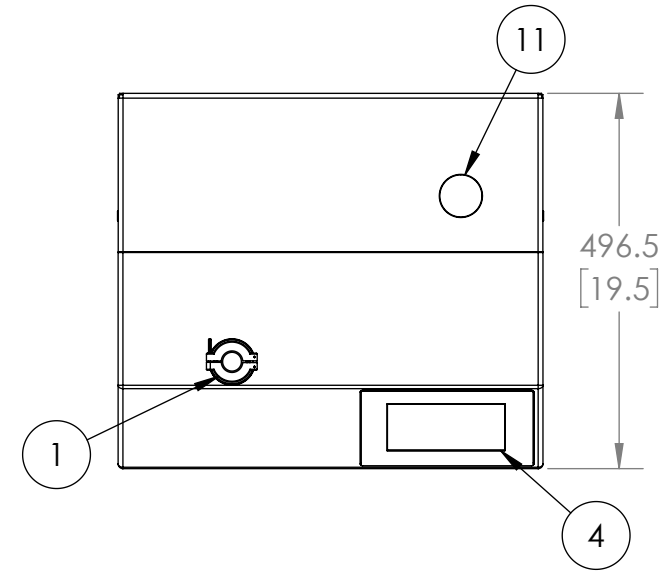
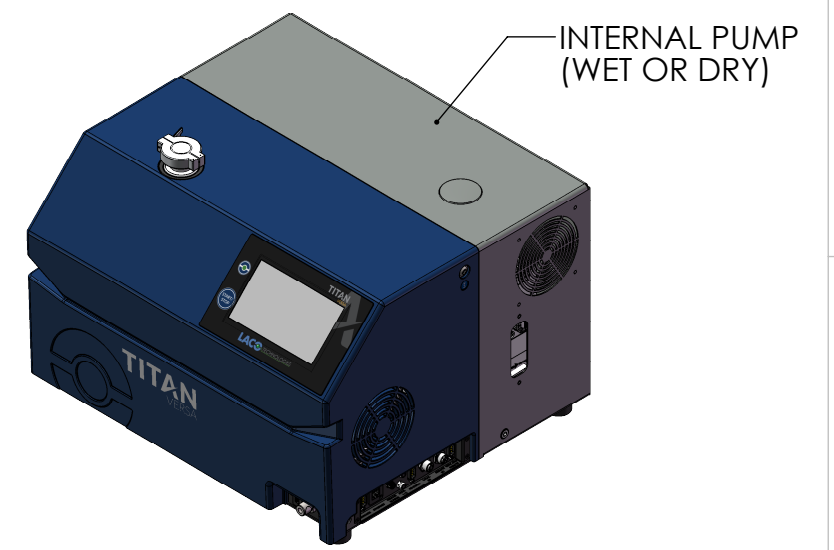


ID	FEATURE
1	VACUUM TEST PORT
2	SNIFF TEST PORT
3	USB PORT
4	DISPLAY & CYCLE START BUTTON
5	PRODUCT LABEL
6	POWER ENTRY MODULE
7	MULTI-USE PORTS - AREA 1
8	MULTI-USE PORTS - AREA 2
9	ELECTRICAL INTERFACE
10	OIL SIGHT GLASS
11	OIL FILL AREA
12	FAN INLET WITH FILTER
13	AIR INLET WITH FILTER

REV.	LCO No.	DESCRIPTION	DATE	APPROVED
A	1507	INITIAL RELEASE	7/14/2020	ABS



NOTES:

- SYSTEM WEIGHTS- KG(LB)
 - WET PUMP VERSION: 58 (128)
 - DRY PUMP VERSION: 47 (104)
- SEE OPERATIONS MANUAL FOR MORE DETAIL

TITAN		
VERSA L & VERSA LD		
DRAWN BY	NAME	DATE
SEE ABAS FOR APPROVER	ABS	6/26/2020
DWG. NO.		REV
117310		A
SCALE: 1:12	SIZE: B	SHEET 1 OF 1

UNLESS OTHERWISE SPECIFIED:
 DIMENSIONS ARE IN INCHES.
 TOLERANCES:
 FRACTIONAL: ±1/16"
 ANGULAR: MACH ±1° / BEND ±2°
 ONE PLACE DECIMAL: ±.05
 TWO PLACE DECIMAL: ±.01
 THREE PLACE DECIMAL: ±.005
 GEO TOLERANCING: ASME Y14.5M - 2009
PROPRIETARY AND CONFIDENTIAL
 THE INFORMATION CONTAINED IN THIS DRAWING IS THE SOLE PROPERTY OF LACO TECHNOLOGIES, INC. ANY REPRODUCTION IN PART OR AS A WHOLE WITHOUT THE WRITTEN PERMISSION OF LACO TECHNOLOGIES, INC., IS PROHIBITED.