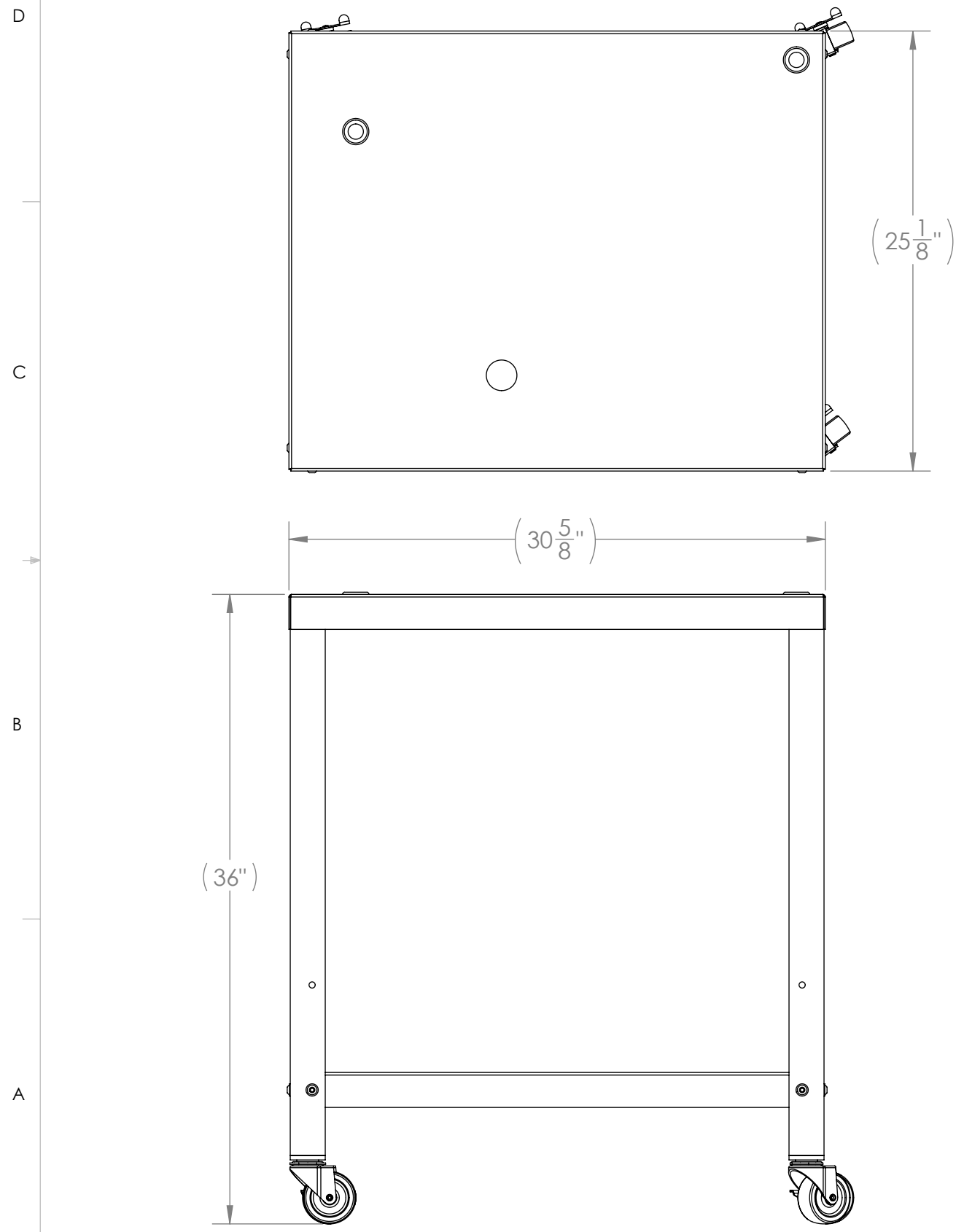


REV.	LCO No.	DESCRIPTION	DATE	APPROVED
A	---	INITIAL RELEASE	2/2/2021	ABS



1/2-13 THREAD SWIVEL & LOCKING CASTERS (CAN BE SWITCHED TO LEVELING FEET)

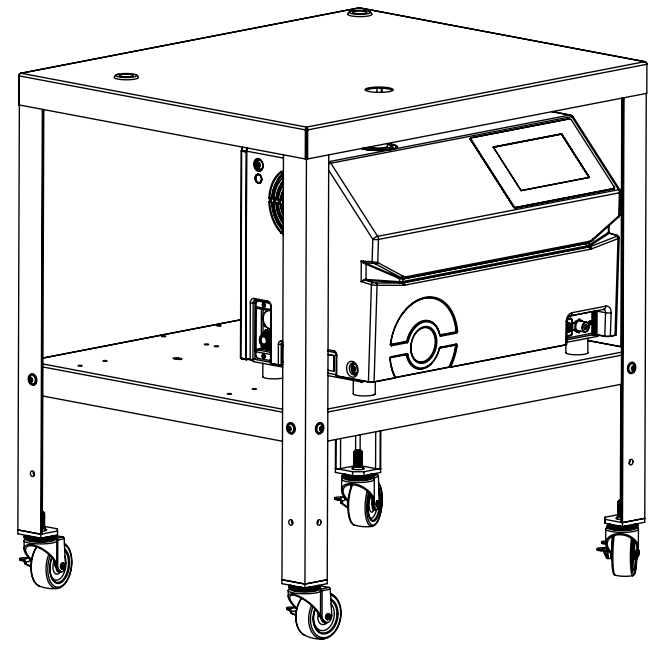
ADJUSTABLE SHELF.

- NOTES:
 1. MATL: POWDER COATED STEEL
 2. WIEGHT: 16 LBS

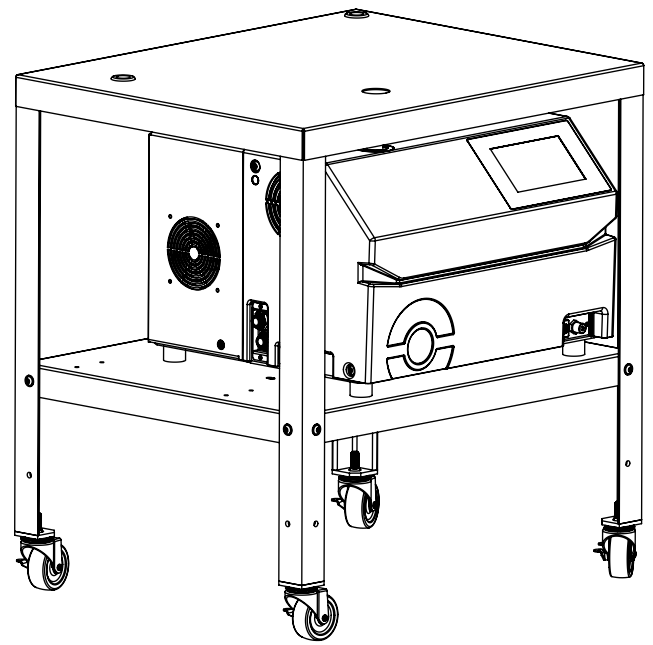


UNLESS OTHERWISE SPECIFIED: DIMENSIONS ARE IN INCHES. TOLERANCES: FRACTIONAL: ±1/16" ANGULAR: MACH ±1° / BEND ±2° ONE PLACE DECIMAL: ±.05 TWO PLACE DECIMAL: ±.01 THREE PLACE DECIMAL: ±.005 GEO TOLERANCING: ASME Y14.5M - 2009		
<p>PROPRIETARY AND CONFIDENTIAL THE INFORMATION CONTAINED IN THIS DRAWING IS THE SOLE PROPERTY OF LACO TECHNOLOGIES, INC. ANY REPRODUCTION IN PART OR AS A WHOLE WITHOUT THE WRITTEN PERMISSION OF LACO TECHNOLOGIES, INC., IS PROHIBITED.</p>		
<p>CART, ASSEMBLY VERSA SNIFFER</p>		
DRAWN BY	NAME	DATE
SEE ABAS FOR APPROVER	ABS	11/5/2020
DWG. NO.	REV	
121015-C	A	
SCALE: 1:12	SIZE: B	SHEET 1 OF 2

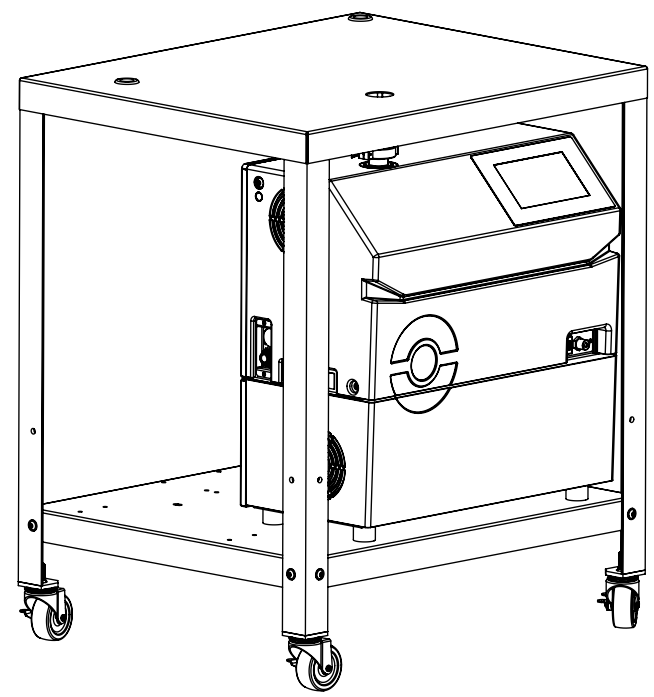
8 7 6 5 4 3 2 1
SHOWN WITH TITAN VERSA COMPACT
(REF ONLY, NOT INCLUDED)



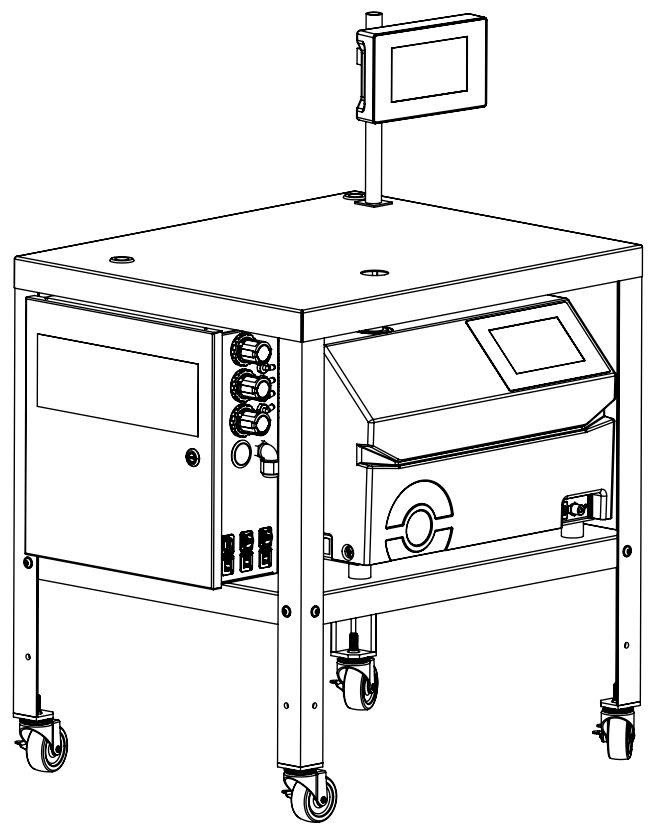
SHOWN WITH TITAN VERSA HORIZONTAL
(REF ONLY, NOT INCLUDED)



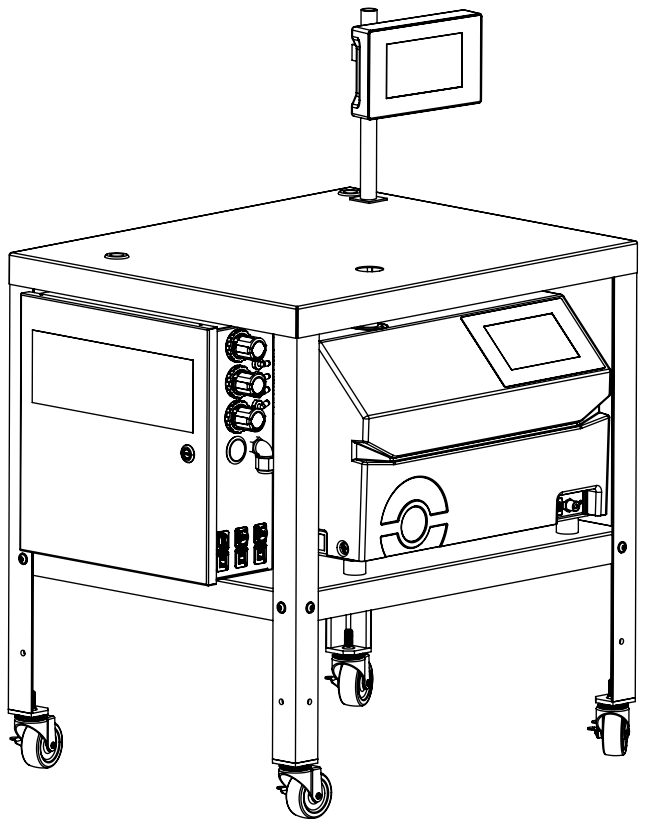
SHOWN WITH TITAN VERSA TOWER
(REF ONLY, NOT INCLUDED)



SHOWN WITH TITAN VERSA COMPACT,
ATLAS & VERSA REMOTE SCREEN
(REF ONLY, NOT INCLUDED)



SHOWN WITH TITAN VERSA HORIZONTAL,
ATLAS & VERSA REMOTE SCREEN
(REF ONLY, NOT INCLUDED)



SHOWN WITH TITAN VERSA TOWER,
ATLAS & VERSA REMOTE SCREEN
(REF ONLY, NOT INCLUDED)

