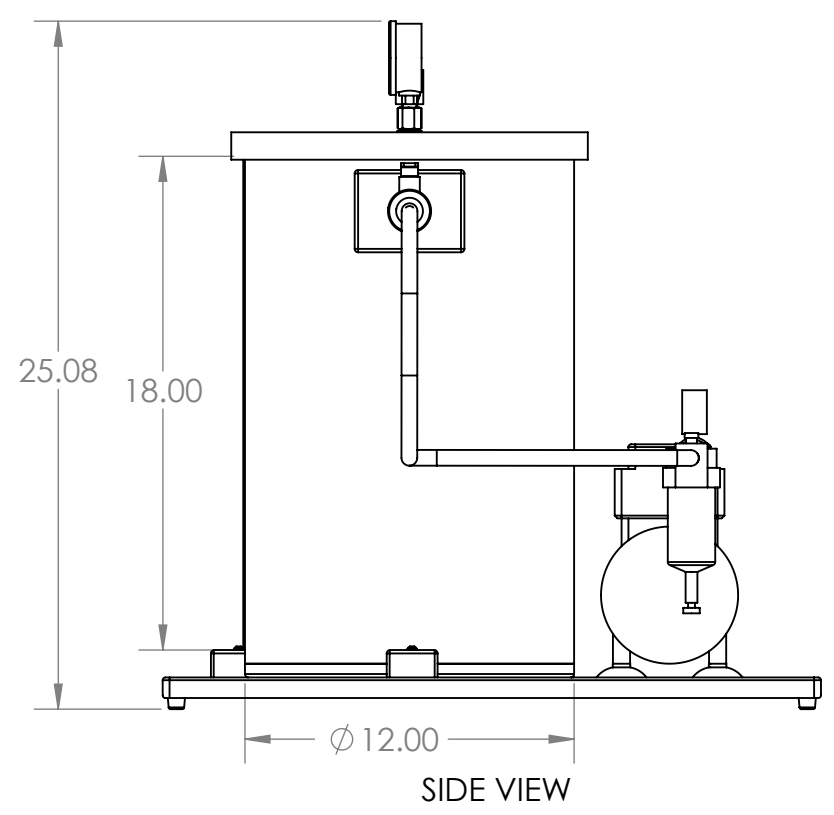
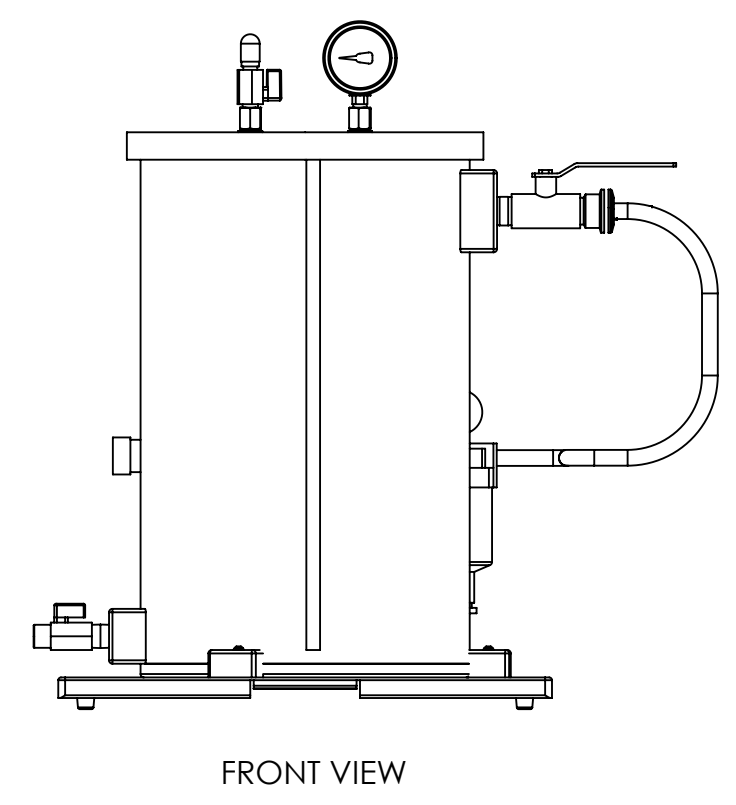
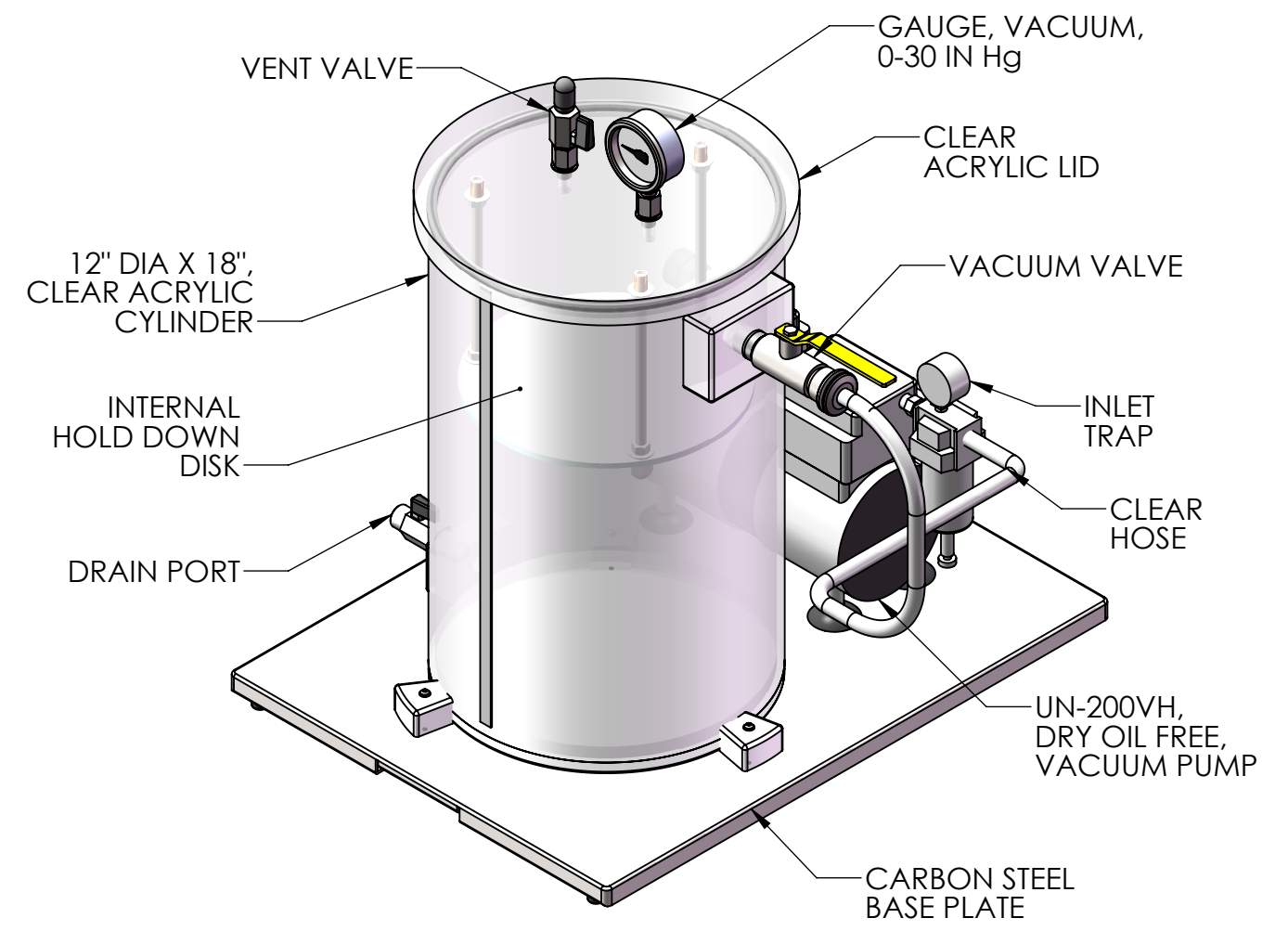
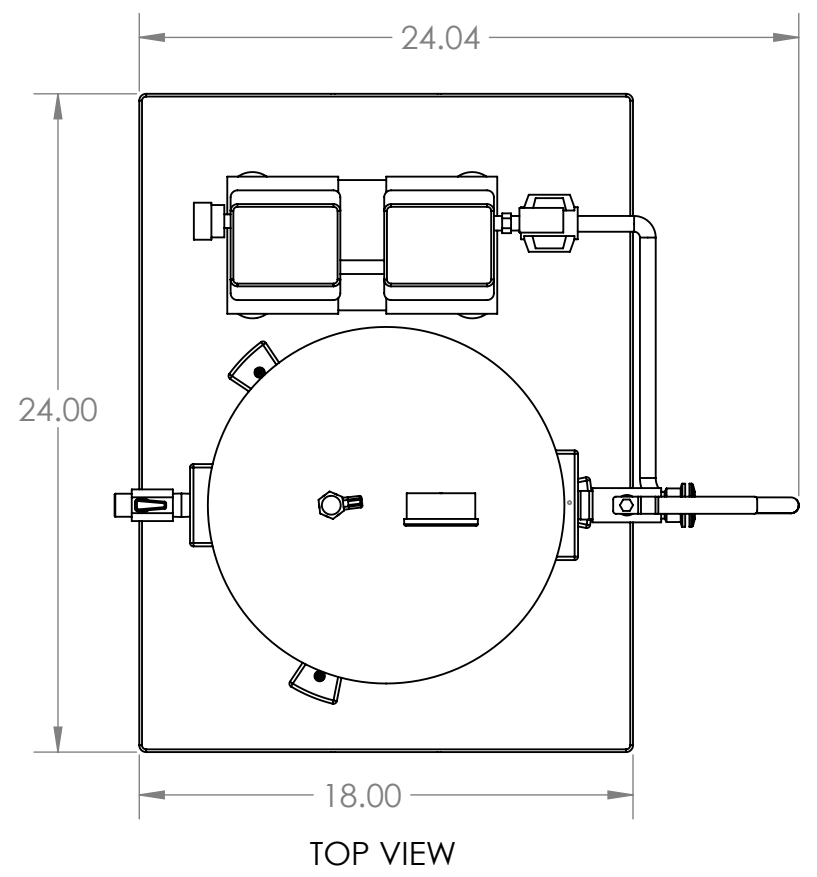


8 7 6 5 4 3 2



UNLESS OTHERWISE SPECIFIED:
 DIMENSIONS ARE IN INCHES.
 TOLERANCES:
 FRACTIONAL: ±1/16"
 ANGULAR: MACH ±1° / BEND ±2°
 ONE PLACE DECIMAL: ±.05
 TWO PLACE DECIMAL: ±.01
 THREE PLACE DECIMAL: ±.005
 GEO TOLERANCING: ASME Y14.5M - 2009

PROPRIETARY AND CONFIDENTIAL
 THE INFORMATION CONTAINED IN THIS
 DRAWING IS THE SOLE PROPERTY OF LACO
 TECHNOLOGIES, INC. ANY
 REPRODUCTION IN PART OR AS A WHOLE
 WITHOUT THE WRITTEN PERMISSION OF
 LACO TECHNOLOGIES, INC., IS PROHIBITED.

12"X18" PACKAGE
 TESTING SYSTEM

DRAWN BY	NAME IDV	DATE 01/04/2021
SEE ABAS FOR APPROVER		
DWG. NO. LVS1218-VCPT-M	REV A	SHEET 1 OF 1
SCALE: 1:12	SIZE: B	

8 7 6 5 4 3 2

1