

8 7 6 5 4 3 2

D

C

B

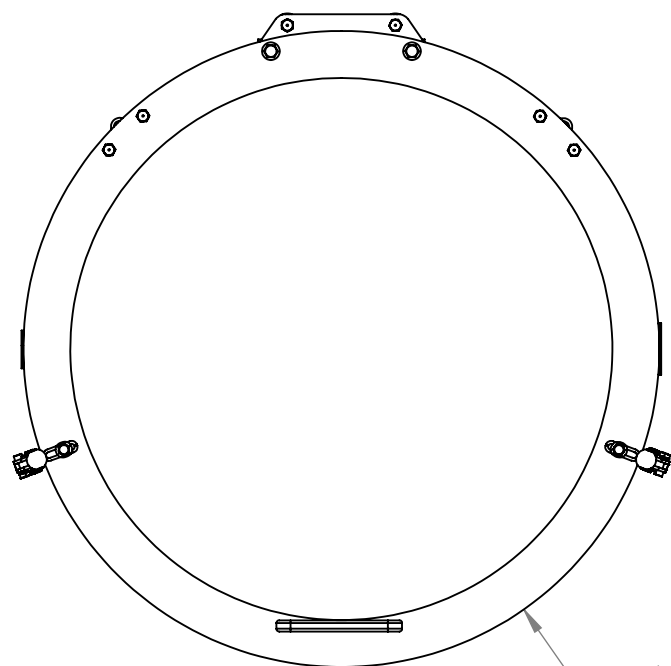
A

D

C

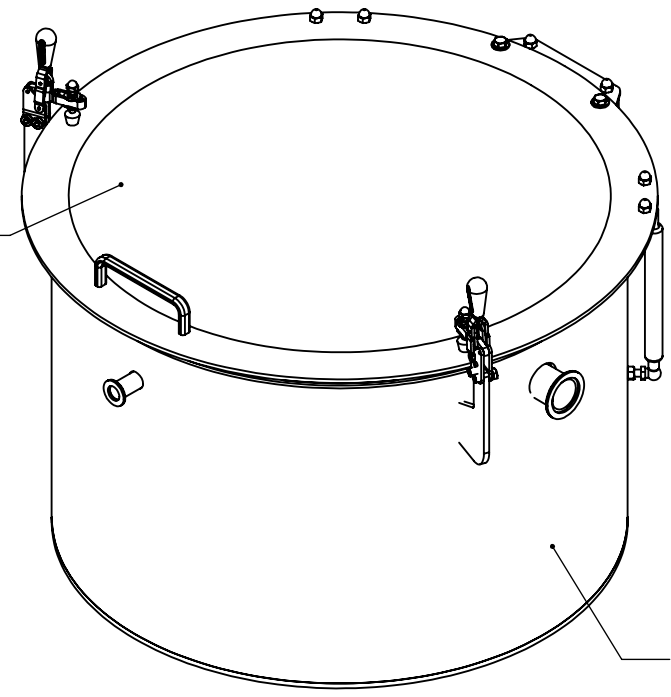
B

A



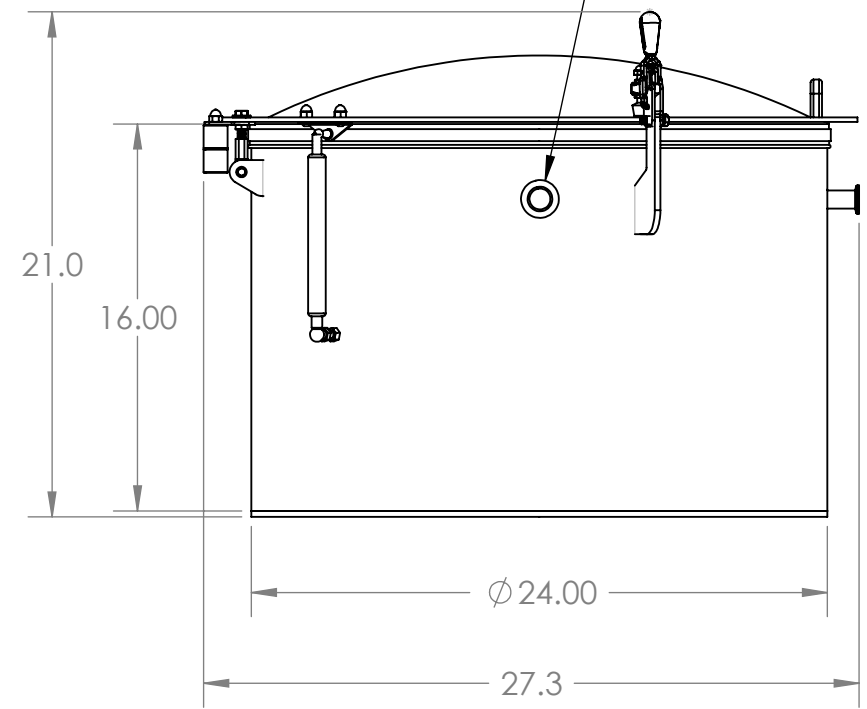
STAINLESS STEEL
HINGED LID

Ø 26.50

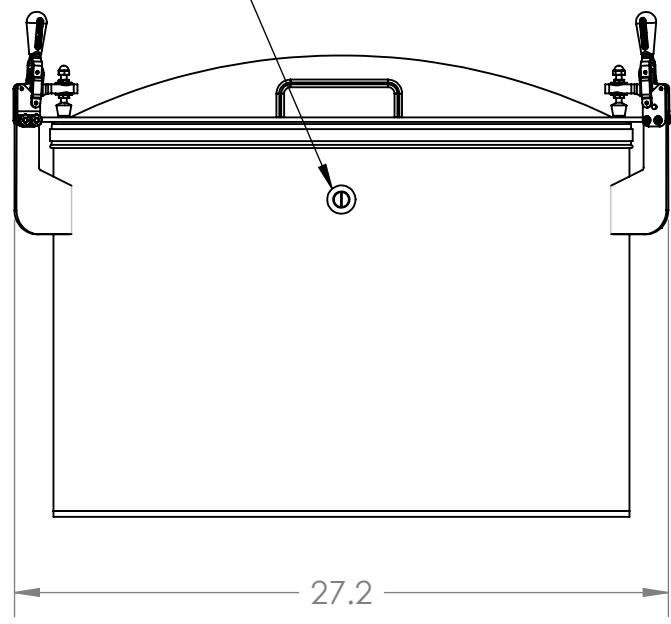


STAINLESS
STEEL BODY

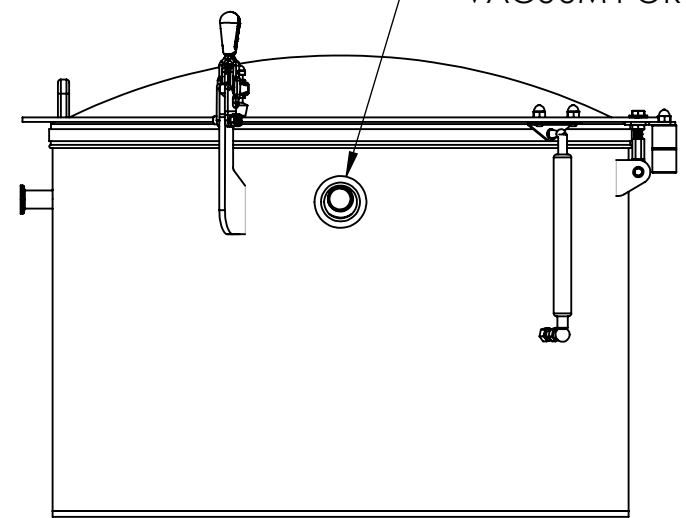
NW25
VENT PORT



NW16
VACUUM GAUGE



NW40
VACUUM PORT



PROPRIETARY AND CONFIDENTIAL
THE INFORMATION CONTAINED IN THIS DRAWING IS THE SOLE PROPERTY OF LACO TECHNOLOGIES, INC. ANY REPRODUCTION IN PART OR AS A WHOLE WITHOUT THE WRITTEN PERMISSION OF LACO TECHNOLOGIES, INC., IS PROHIBITED.

	NAME	DATE
DRAWN	CSG	02/17/09
DESIGNED	CSG	02/17/09
CHECKED	MEC	02/17/09
ENG APPR.	MEC	02/17/09

UNLESS OTHERWISE SPECIFIED:
DIMENSIONS ARE IN INCHES.
TOLERANCES:
FRACTIONAL: ±1/16"
ANGULAR: MACH ±1° / BEND ±2°
TWO PLACE DECIMAL: ±.01
THREE PLACE DECIMAL: ±.005
GEOMETRIC TOLERANCING PER
ASME Y14.5M - 1994

TITLE:	
24" OD X 16" VERT SS, VH, HINGED LID	
LVC2416-3312-VH	
DWG. NO.	REV
92280-M	A
SCALE: 1:12	SHEET 1 OF 2

8 7 6 5 4 3 2 1