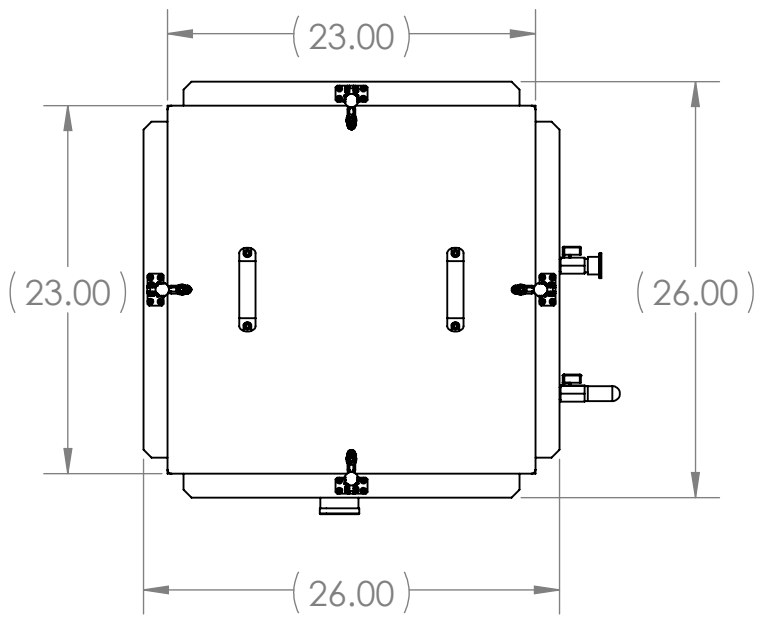


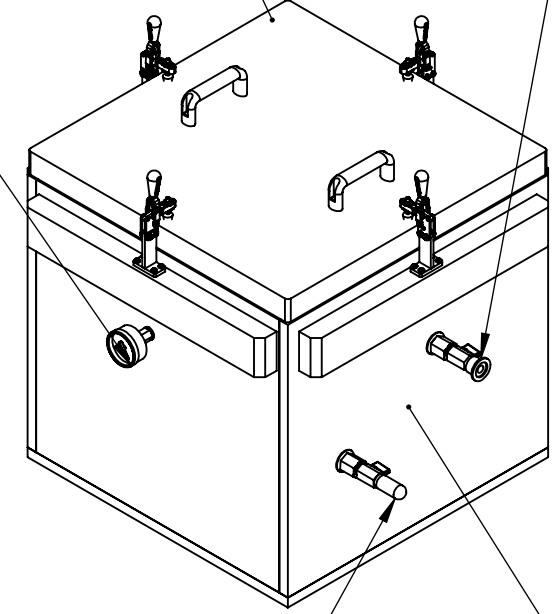
REV.	LCO No.	DESCRIPTION	DATE	APPROVED
A	--	INITIAL RELEASE		MEC
B	1288	UPDATED DRAWING		MEC



ACRYLIC LID

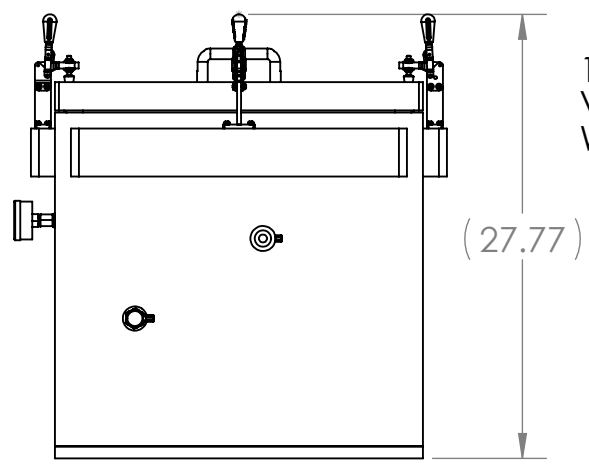
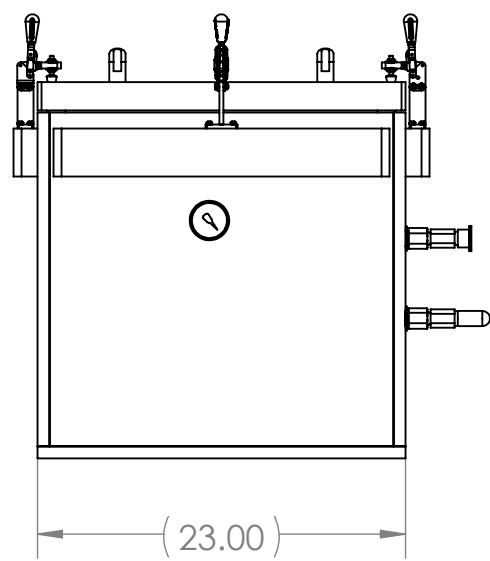
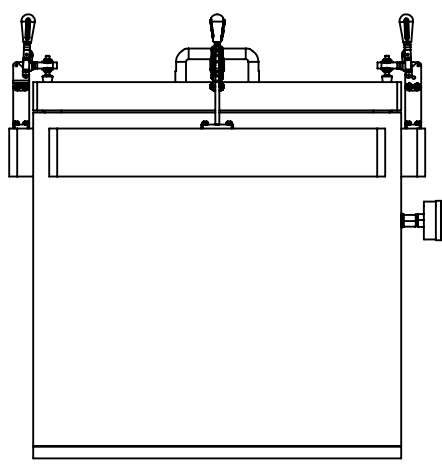
1/2" NPT VACUUM VALVE W/ NW25 FITTING

1/4" NPT VACUUM GAUGE 0 - 30" HG



ALL CLEAR ACRYLIC BODY

1/2" NPT VENT VALVE W/ MUFFLER



UNLESS OTHERWISE SPECIFIED:
 DIMENSIONS ARE IN INCHES.
 TOLERANCES:
 FRACTIONAL: ±1/16"
 ANGULAR: MACH ±1° / BEND ±2°
 TWO PLACE DECIMAL: ±.01
 THREE PLACE DECIMAL: ±.005
 GEOMETRIC TOLERANCING PER
 ASME Y14.5M - 2009

PROPRIETARY AND CONFIDENTIAL
 THE INFORMATION CONTAINED IN THIS
 DRAWING IS THE SOLE PROPERTY OF LACO
 TECHNOLOGIES, INC. ANY
 REPRODUCTION IN PART OR AS A WHOLE
 WITHOUT THE WRITTEN PERMISSION OF
 LACO TECHNOLOGIES, INC., IS PROHIBITED.

LVC2020-1123-CC
 ACRYLIC CHAMBER,
 20" X 20" X 20"

DRAWN BY	DVM	DATE	03/29/10
APPROVED BY	AJL		
DWG. NO.	94092-M		REV B
SCALE: 1:12	SIZE: B	SHEET 1 OF 1	