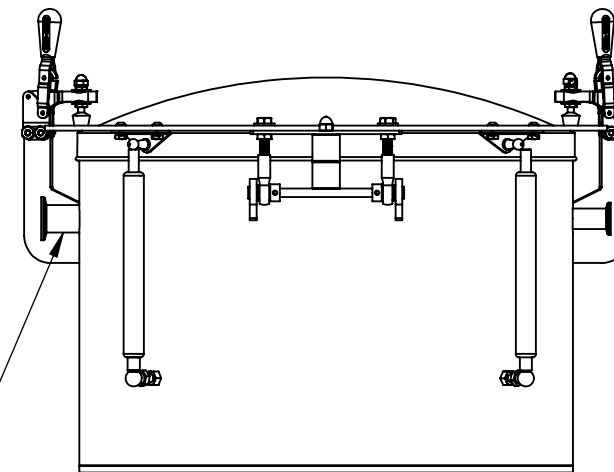
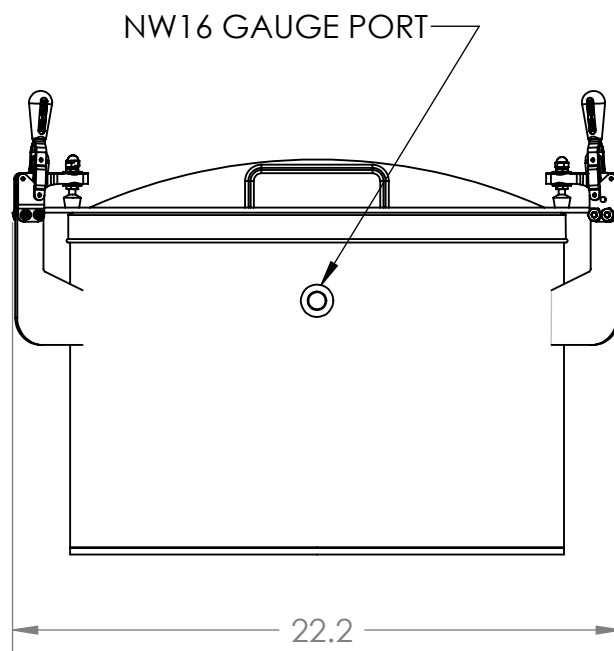
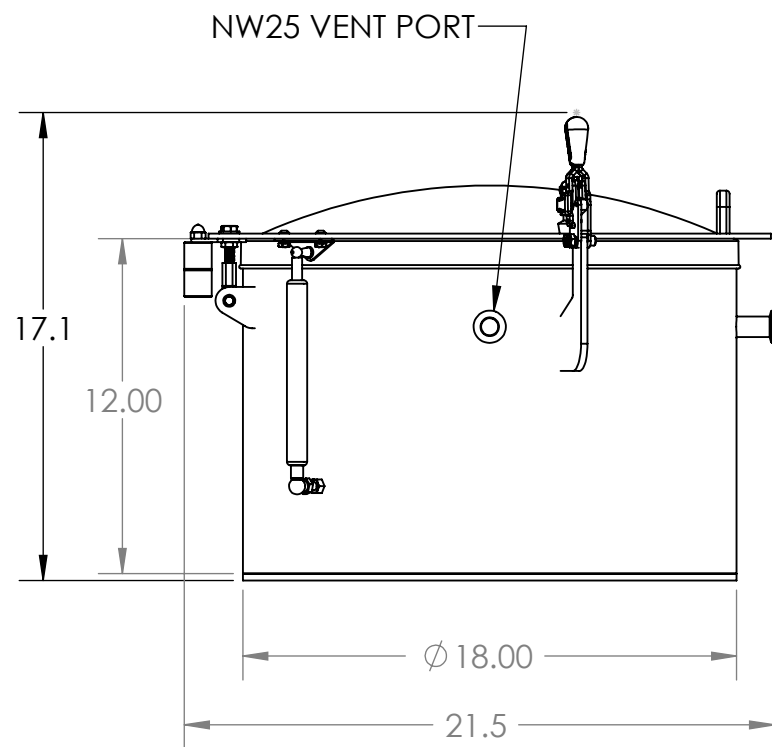
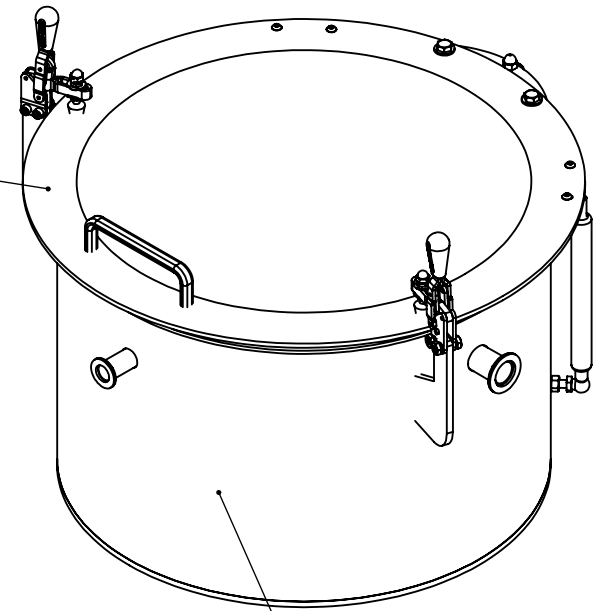


DISHED AND FLARED,  
STAINLESS STEEL  
HINGED LID



PROPRIETARY AND CONFIDENTIAL

THE INFORMATION CONTAINED IN THIS DRAWING IS THE SOLE PROPERTY OF LACO TECHNOLOGIES, INC. ANY REPRODUCTION IN PART OR AS A WHOLE WITHOUT THE WRITTEN PERMISSION OF LACO TECHNOLOGIES, INC., IS PROHIBITED.

	NAME	DATE
DRAWN	CSG	11/30/07
DESIGNED	CSG	11/30/07
CHECKED	MEC	11/30/07
ENG APPR.	MEC	11/30/07

UNLESS OTHERWISE SPECIFIED:

DIMENSIONS ARE IN INCHES

TOLERANCES:

FRACTIONAL ±1/16"

ANGULAR: MACH ±1° BEND ±2°

TWO PLACE DECIMAL ±.010

THREE PLACE DECIMAL ±.005

GEOMETRIC TOLERANCING PER:

ANSI Y14.5M - 1982

TITLE:

18" X 12" VERT, SS  
SS DISHED LID, HINGED

LVC1812-3312-VH

SIZE	DWG. NO.	REV
B	92081-M	A

SCALE: 1:8 WEIGHT: N/A SHEET 1 OF 2