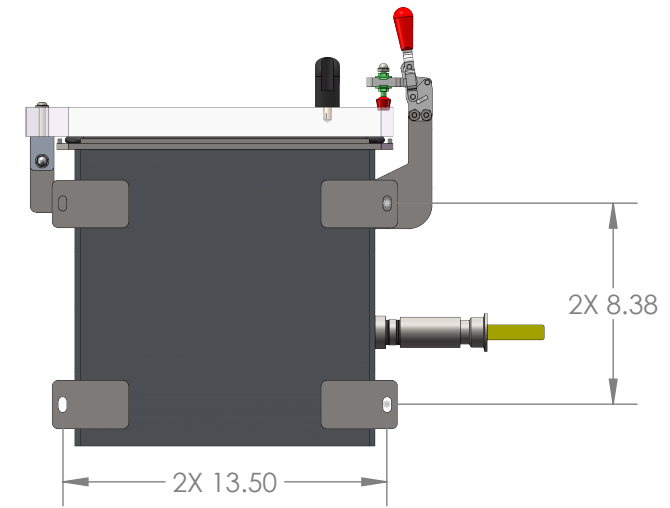
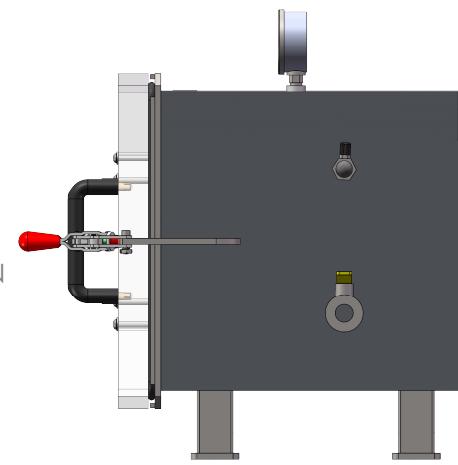
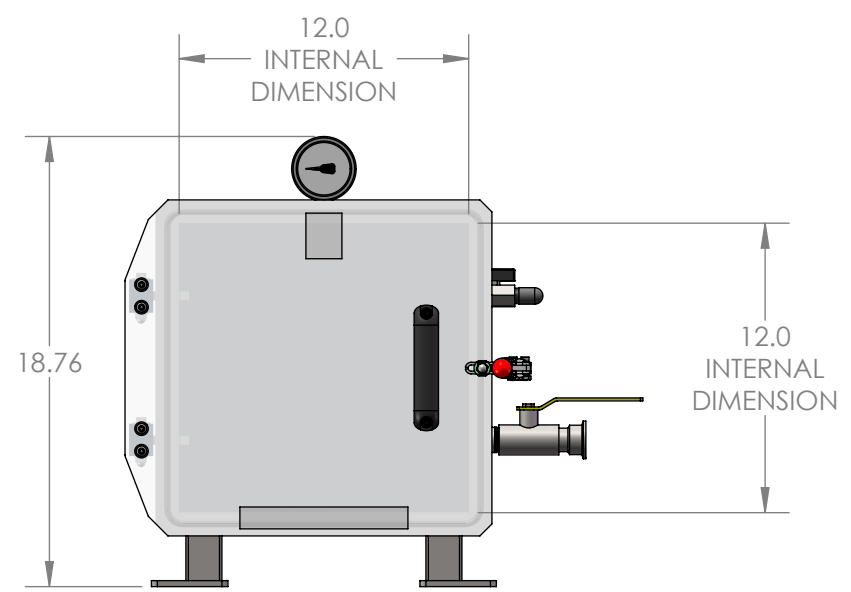
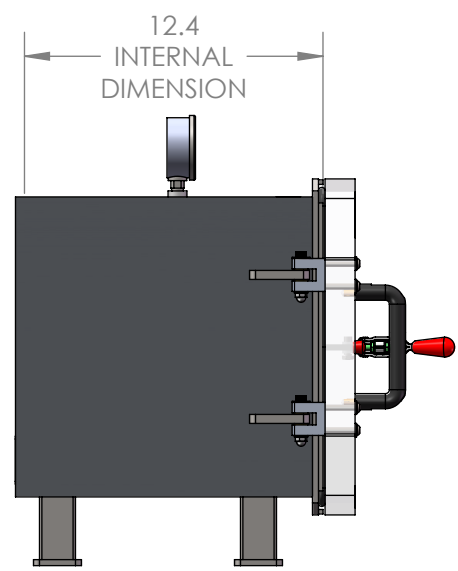
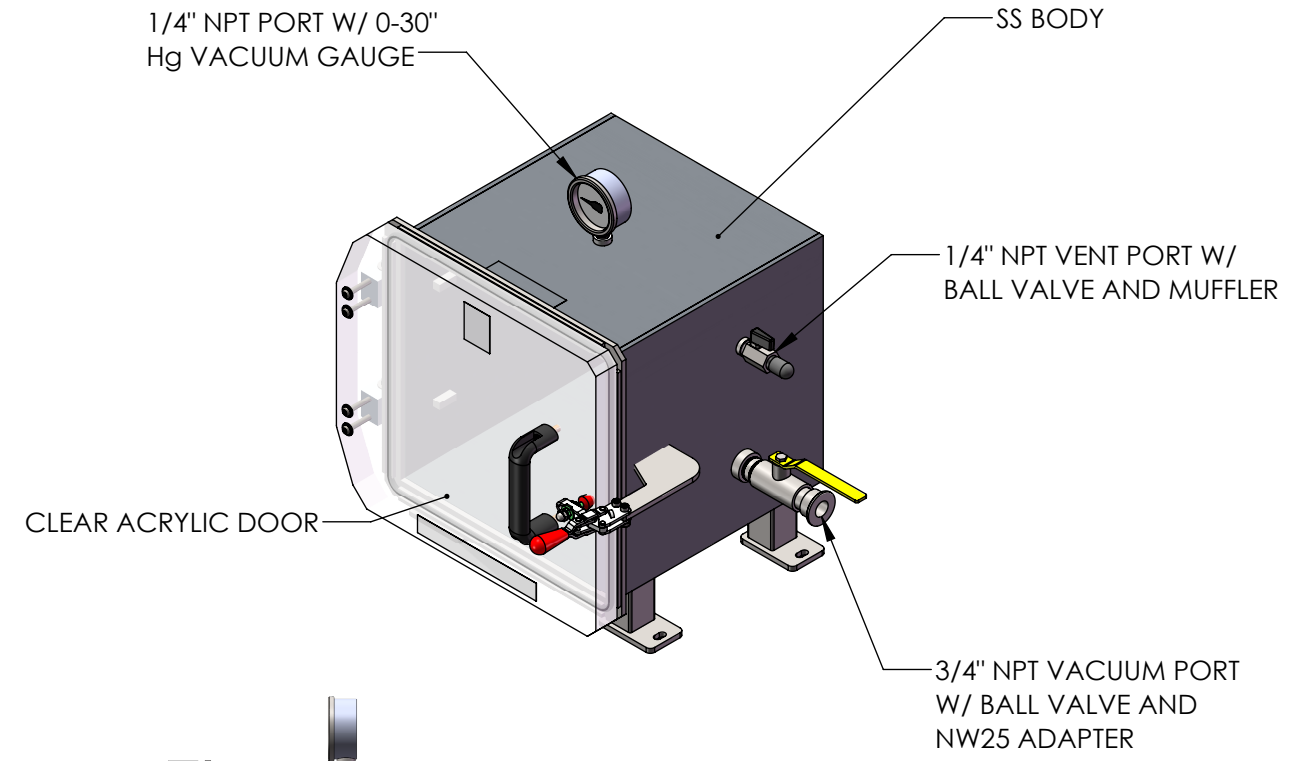
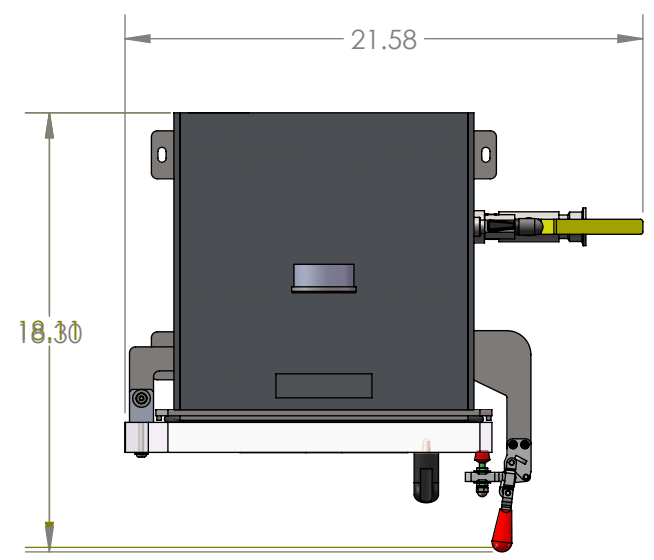


REV.	LCO No.	REV DESCRIPTION	DATE	APPROVED
A	1256	INITIAL RELEASE	10/30/2018	ABS



NOTES:  
1. ESTIMATED SYSTEM WEIGHT: 85 lbs

**LACO TECHNOLOGIES**

UNLESS OTHERWISE SPECIFIED:  
DIMENSIONS ARE IN INCHES.  
TOLERANCES:  
FRACTIONAL: ±1/16"  
ANGULAR: MACH ±1° / BEND ±2°  
TWO PLACE DECIMAL: ±.03  
THREE PLACE DECIMAL: ±.005  
GEOMETRIC TOLERANCING PER ASME Y14.5M - 2009

CHAMBER, HORIZONTAL, CUBE 12" X 12", 304SS, ACRYLIC DOOR STANDARD PORTS

DRAWN BY	NAME	DATE
SEE ABAS FOR APPROVER	ABS	10/30/2018

PROPRIETARY AND CONFIDENTIAL  
THE INFORMATION CONTAINED IN THIS DRAWING IS THE SOLE PROPERTY OF LACO TECHNOLOGIES, INC. ANY REPRODUCTION IN PART OR AS A WHOLE WITHOUT THE WRITTEN PERMISSION OF LACO TECHNOLOGIES, INC., IS PROHIBITED.

DWG. NO. **112769-C**

SCALE: 1:8 SIZE: B SHEET 1 OF 1

REV **A**

8 7 6 5 4 3 2 1

D C B A

D C B A

8 7 6 5 4 3 2 1