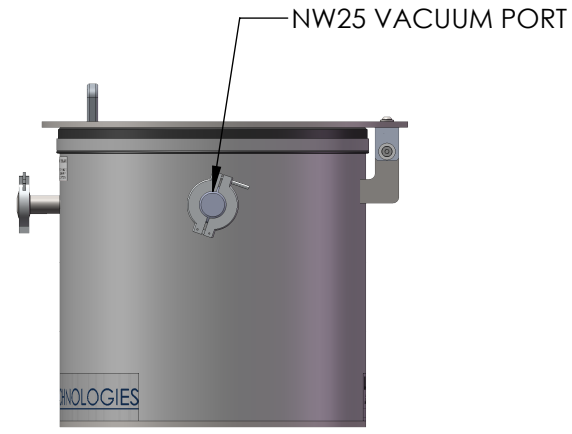
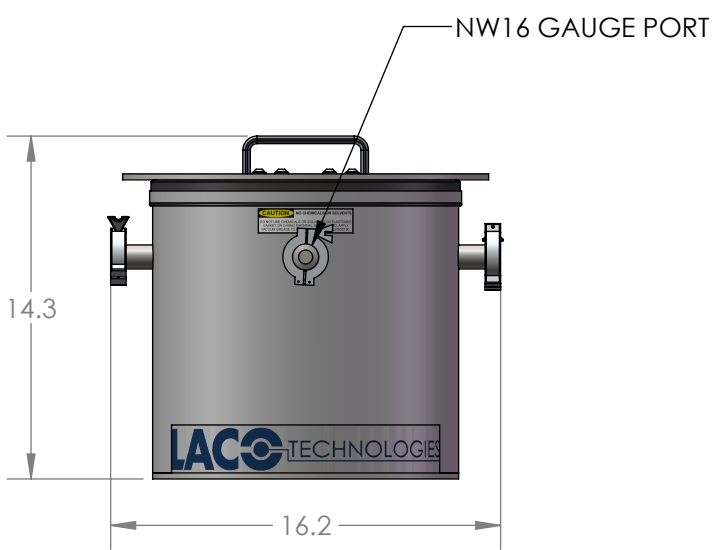
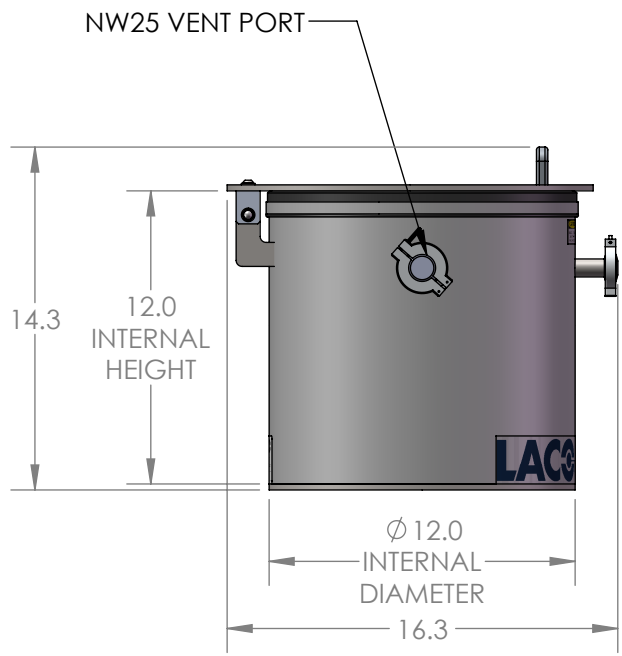
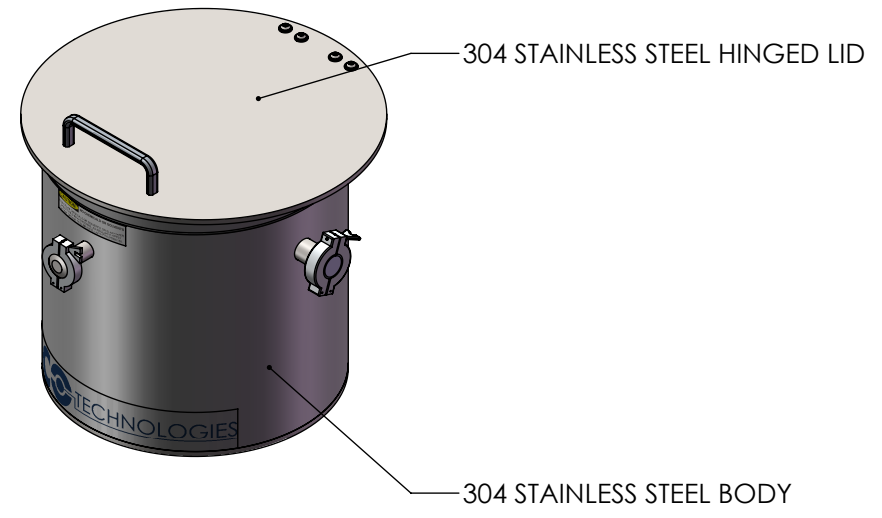
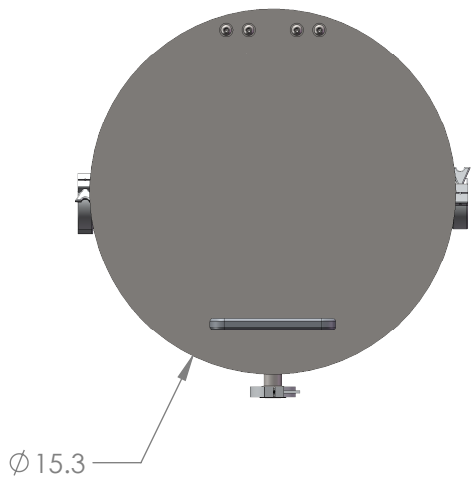


REV.	LCO No.	REV DESCRIPTION	DATE	APPROVED
A	1255	INITIAL RELEASE	4/4/2018	JRA



NOTES:
1. ESTIMATED SYSTEM WEIGHT: 50 lbs



UNLESS OTHERWISE SPECIFIED:
DIMENSIONS ARE IN INCHES.
TOLERANCES:
FRACTIONAL: ±1/16"
ANGULAR: MACH ±1° / BEND ±2°
TWO PLACE DECIMAL: ±.03
THREE PLACE DECIMAL: ±.005
GEOMETRIC TOLERANCING PER ASME Y14.5M - 2009

12" X 12" VERTICAL, SS,
SS LID, HIGH VACUUM
STANDARD PORTS

PROPRIETARY AND CONFIDENTIAL
THE INFORMATION CONTAINED IN THIS DRAWING IS THE SOLE PROPERTY OF LACO TECHNOLOGIES, INC. ANY REPRODUCTION IN PART OR AS A WHOLE WITHOUT THE WRITTEN PERMISSION OF LACO TECHNOLOGIES, INC., IS PROHIBITED.

DRAWN BY	NAME	DATE
SEE ABAS FOR APPROVER	JRA	2/6/2018
DWG. NO.	REV	
112673-C	A	
SCALE: 1:8	SIZE: B	SHEET 1 OF 1