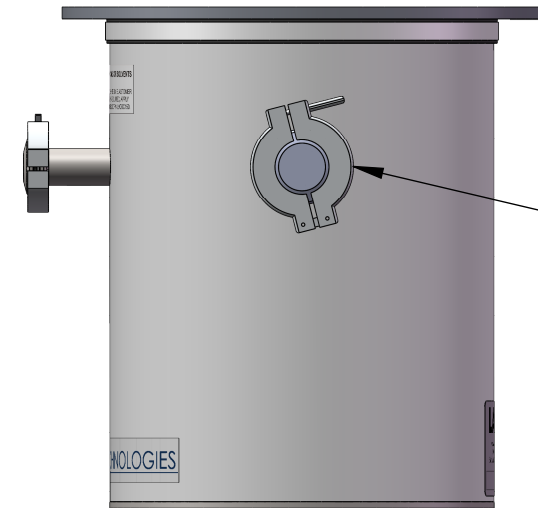
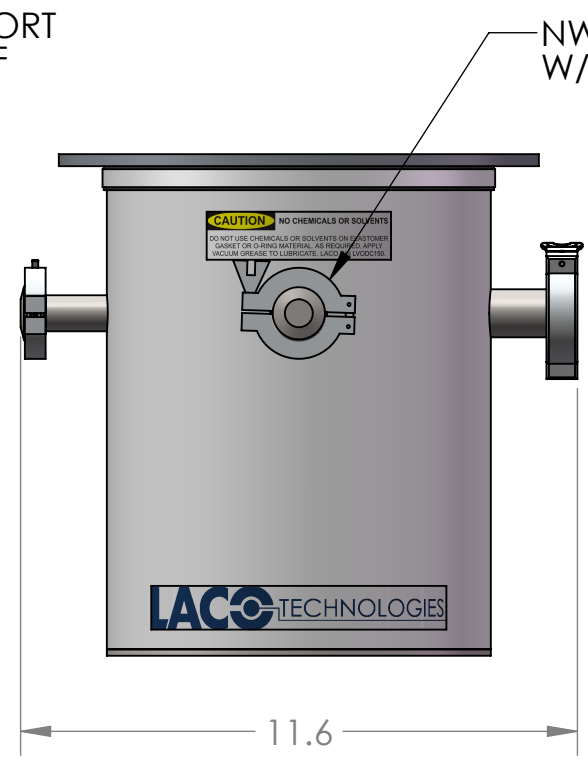
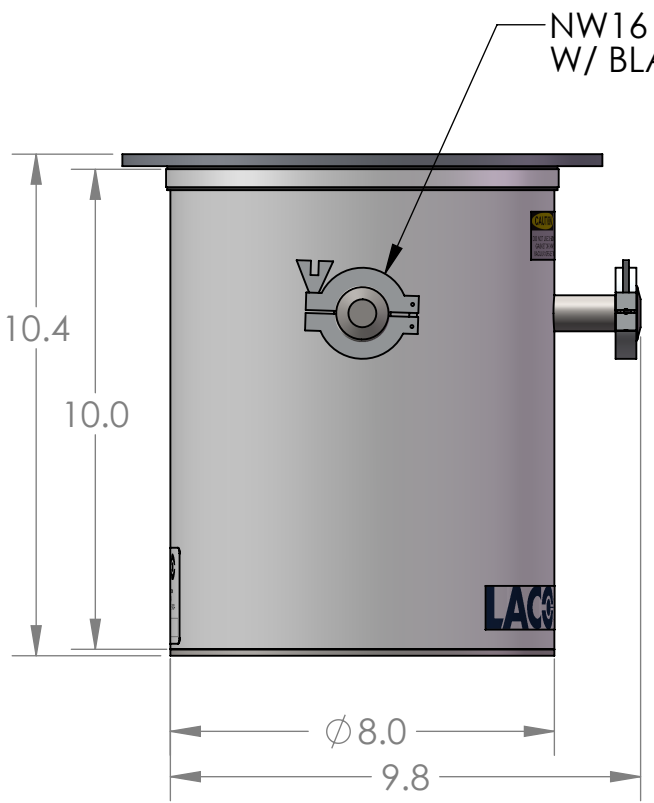
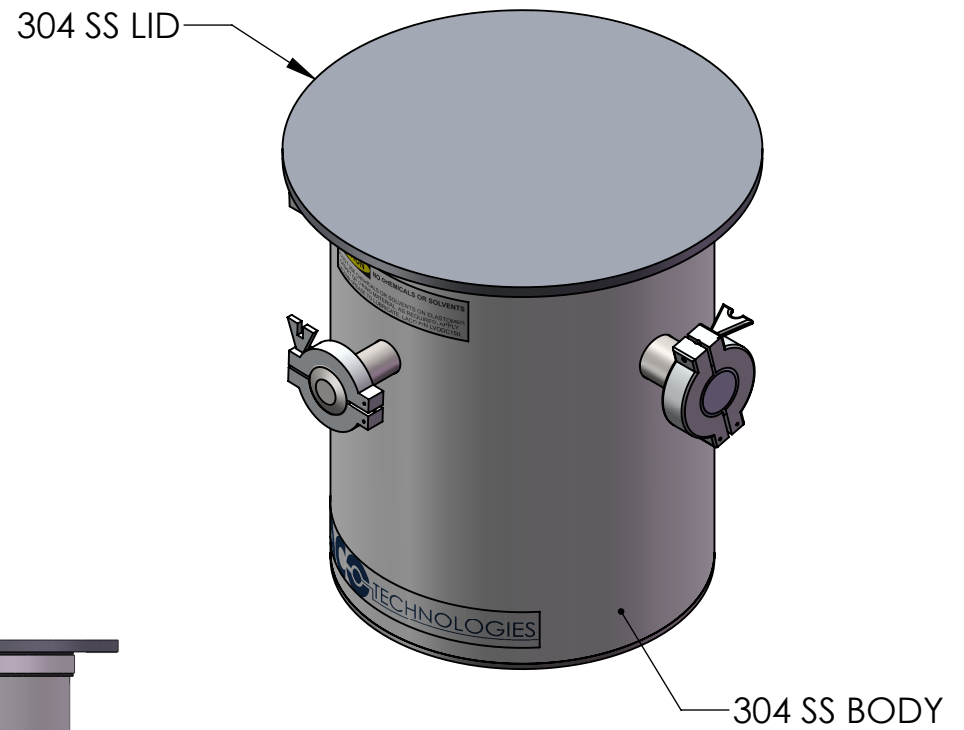
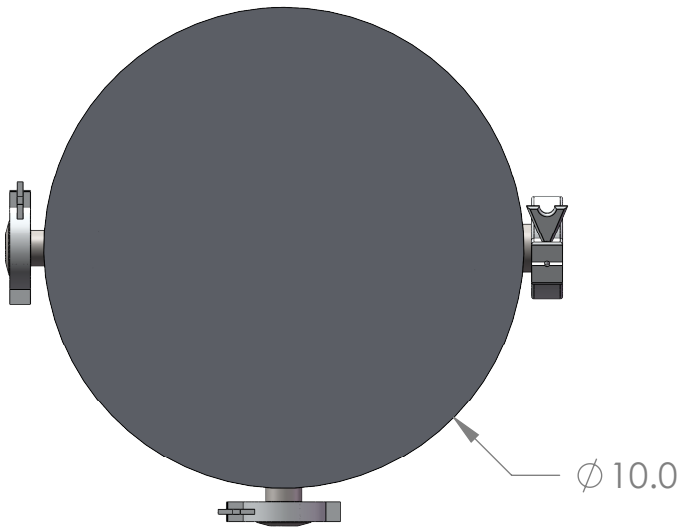


REV.	LCO No.	DESCRIPTION	DATE	APPROVED
A	1257	INITIAL RELEASE	5/14/2018	ABS



NOTES:  
1. ESTIMATED SYSTEM WEIGHT: 9.8 lbs



<p><b>UNLESS OTHERWISE SPECIFIED:</b> DIMENSIONS ARE IN INCHES. TOLERANCES: FRACTIONAL: ±1/16" ANGULAR: MACH ±1° / BEND ±2° TWO PLACE DECIMAL: ±.01 THREE PLACE DECIMAL: ±.005 GEOMETRIC TOLERANCING PER ASME Y14.5M - 2009</p> <p><b>PROPRIETARY AND CONFIDENTIAL</b> THE INFORMATION CONTAINED IN THIS DRAWING IS THE SOLE PROPERTY OF LACO TECHNOLOGIES, INC. ANY REPRODUCTION IN PART OR AS A WHOLE WITHOUT THE WRITTEN PERMISSION OF LACO TECHNOLOGIES, INC., IS PROHIBITED.</p>	8" X 10" VERT, SS SS LID, HI VAC STANDARD PORTS		
	DRAWN BY	NAME	DATE
	APPROVED BY	MEC	12/11/07
	DWG. NO. 91822-C		REV A
SCALE: 1:4		SIZE: B	SHEET 1 OF 1