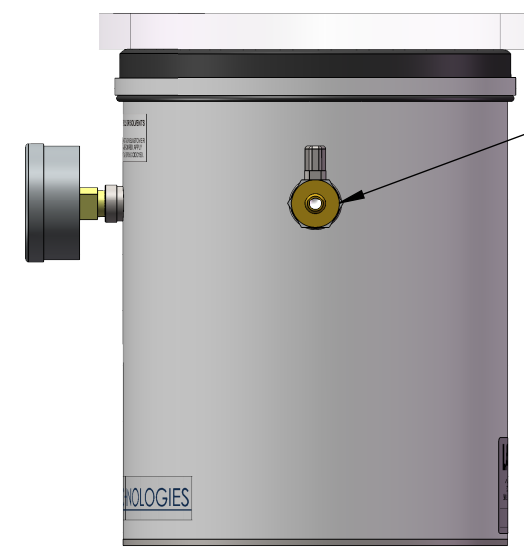
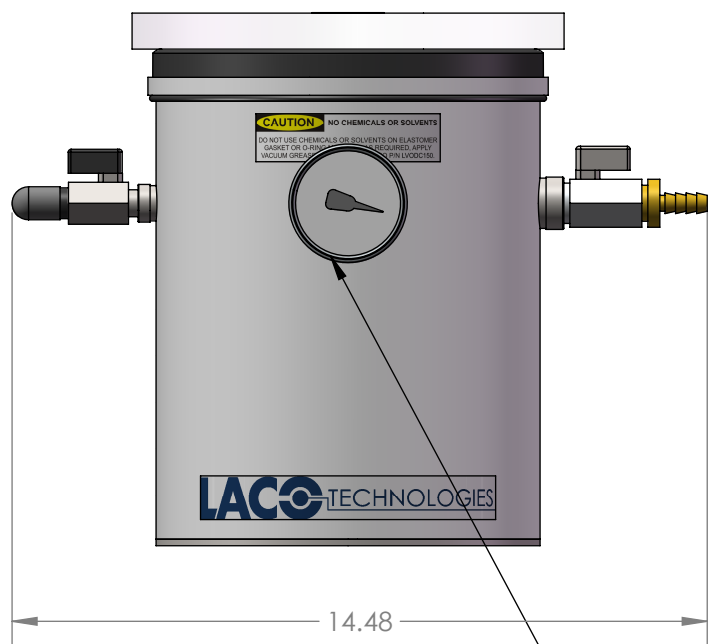
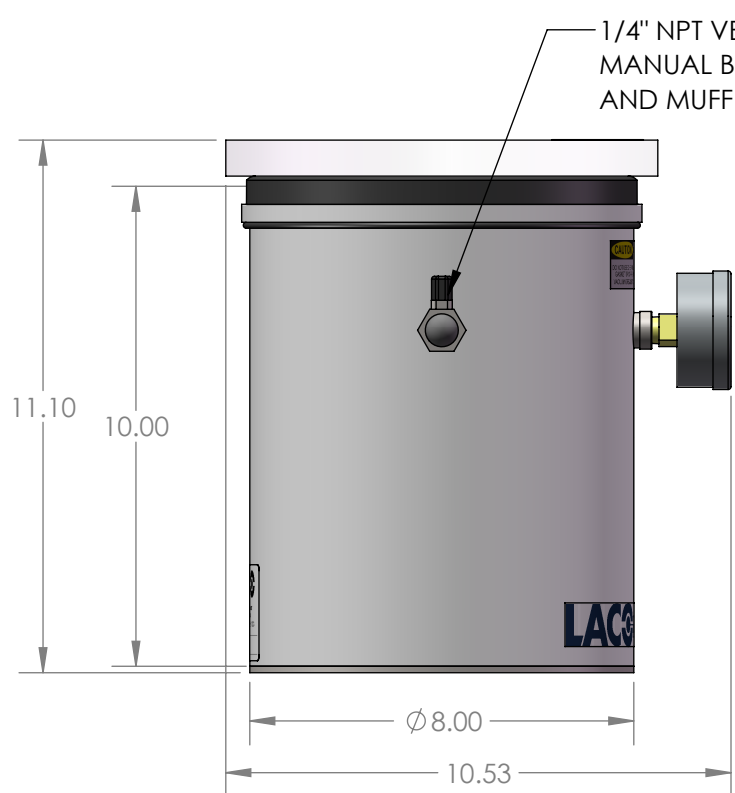
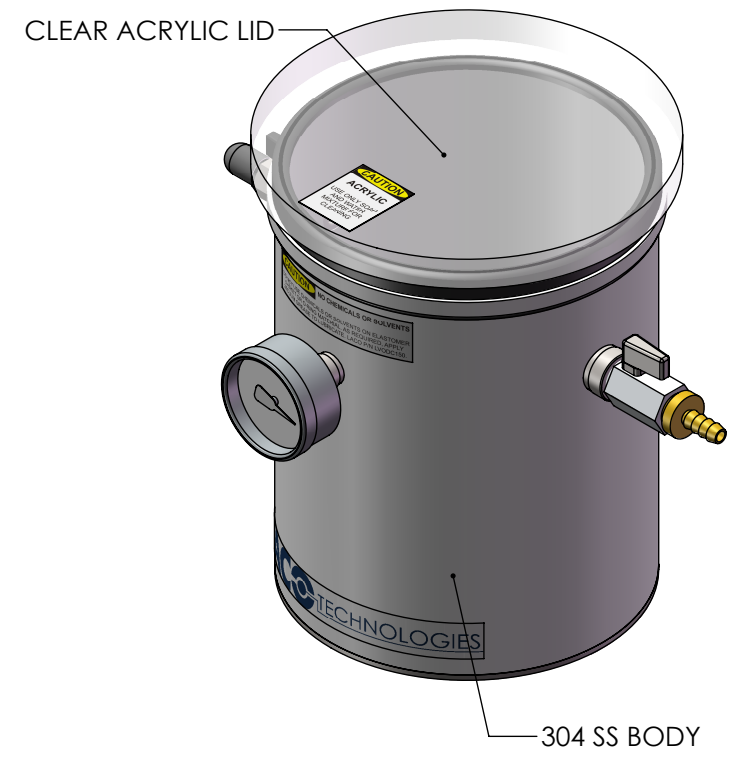
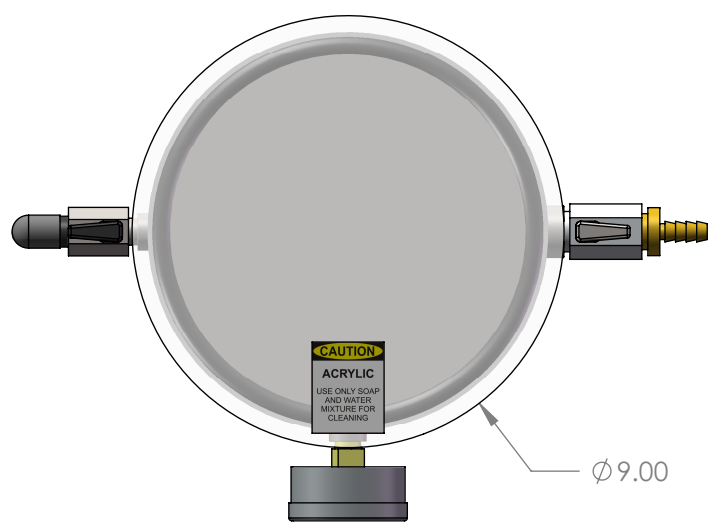


REV.	LCO No.	REV DESCRIPTION	DATE	APPROVED
A	1257	INITIAL RELEASE	4/24/2018	ABS



NOTES:
1. ESTIMATED SYSTEM WEIGHT: 7.3 lbs



UNLESS OTHERWISE SPECIFIED: DIMENSIONS ARE IN INCHES. TOLERANCES: FRACTIONAL: ±1/16" ANGULAR: MACH ±1° / BEND ±2° TWO PLACE DECIMAL: ±.03 THREE PLACE DECIMAL: ±.005 GEOMETRIC TOLERANCING PER ASME Y14.5M - 2009			CHAMBER, 8" X 10", VERTICAL, SS BODY, ACRYLIC LID, STANDARD PORTS		
PROPRIETARY AND CONFIDENTIAL THE INFORMATION CONTAINED IN THIS DRAWING IS THE SOLE PROPERTY OF LACO TECHNOLOGIES, INC. ANY REPRODUCTION IN PART OR AS A WHOLE WITHOUT THE WRITTEN PERMISSION OF LACO TECHNOLOGIES, INC., IS PROHIBITED.					
DRAWN BY SEE ABAS FOR APPROVER		NAME ABS	DATE 4/24/2018		REV A
DWG. NO. 112749-C			SCALE: 1:4	SIZE: B	

8

7

6

5

4

3

2

1

D

D

C

C

B

B

A

A

8

7

6

5

4

3

2

1