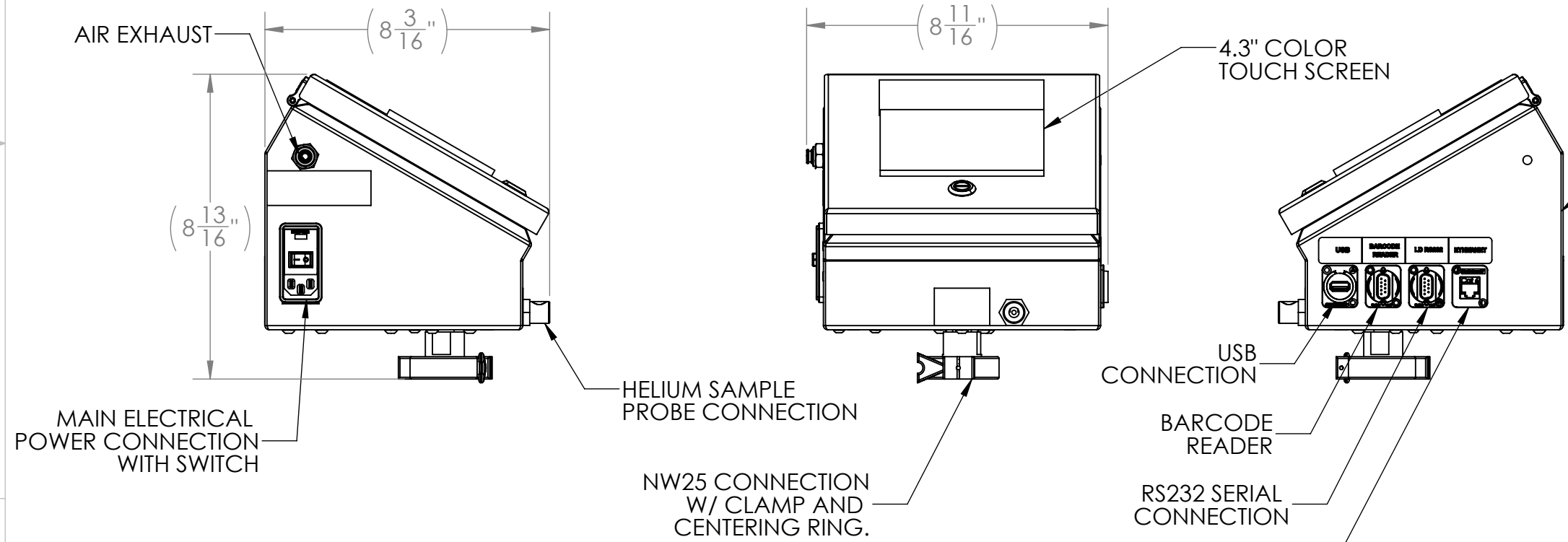


REV.	LCO No.	DESCRIPTION	DATE	APPROVED
A	1313	INITIAL RELEASE	5/20/13	-
B	1475	LHCT03D UPDATE	1/29/2019	ABS
C		REMOVED TICKET PRINTER COVER	4/13/2023	MST



PAINTED ENCLOSURE

NOTES:

- APPROX WEIGHT: 5.5 LBS.
- ELECTRICAL REQUIREMENT: 90-260 VAC. 5 AMPS MAX.



<b>UNLESS OTHERWISE SPECIFIED:</b> DIMENSIONS ARE IN INCHES. TOLERANCES: FRACTIONAL: ±1/16" ANGULAR: MACH ±1° / BEND ±2° TWO PLACE DECIMAL: ±.01 THREE PLACE DECIMAL: ±.005 GEOMETRIC TOLERANCING PER ASME Y14.5M - 2009		
<b>HELIUM CONCENTRATION TESTER, TOP ASSEMBLY LHCT03D</b>		
DRAWN BY	NAME	DATE
APPROVED BY	MEC	08/15/13
DWG. NO.	REV	
96355-M	C	
SCALE: 1:4	SIZE: B	SHEET 1 OF 1

**PROPRIETARY AND CONFIDENTIAL**  
THE INFORMATION CONTAINED IN THIS DRAWING IS THE SOLE PROPERTY OF LACO TECHNOLOGIES, INC. ANY REPRODUCTION IN PART OR AS A WHOLE WITHOUT THE WRITTEN PERMISSION OF LACO TECHNOLOGIES, INC., IS PROHIBITED.