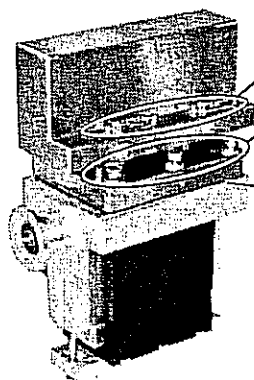


Basic maintenance of the analyzer cell

Replacement of the filaments and the electron collector

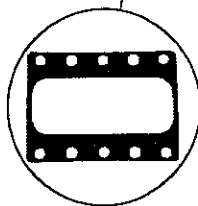
Cell disassembly



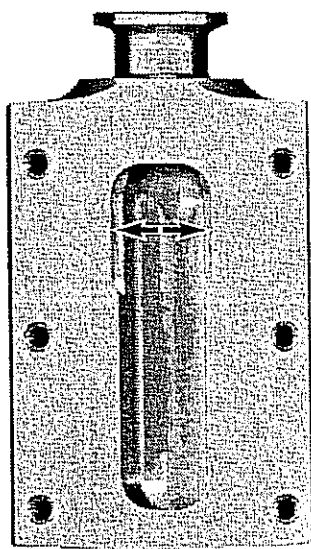
■ Disconnect the spectro electrically (2 connectors).

■ Unfasten the 6 securing screws and their washers using a 5 mm Allen key and carefully extract the flange from the body (pull along the vertical axis).

■ Place the seal on a surface protected from any contamination.



Cleaning the body



The internal duct of the body may show traces of metallization beside the filament. If traces are present, clean using abrasive paper (grit 180), aspirate the residue and complete the cleaning with alcohol.

Clean the special metal seal bearing surface with alcohol.

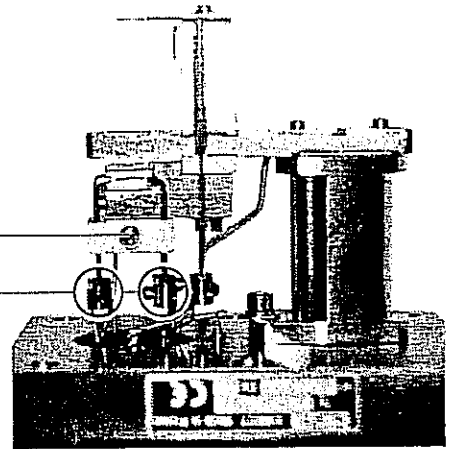
Basic maintenance of the analyzer cell

Disassemble the filaments



For each filament:
Remove the attachment
screw and unfasten the
2 connection screws.

Attachment screw
Connection screws



Disassemble the electron collector

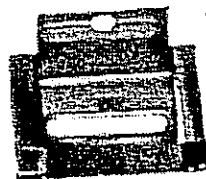
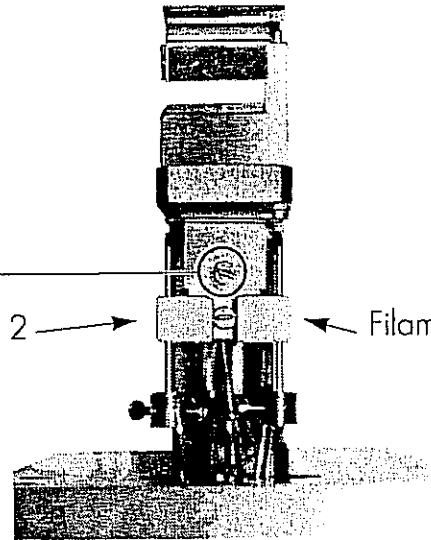


Remove the attachment screw.

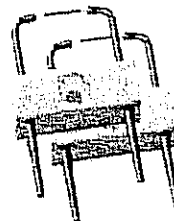
Attachment screw

Filament 2

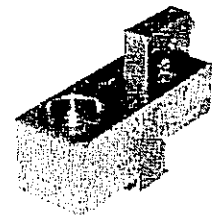
Filament 1



Electron collector



Filaments



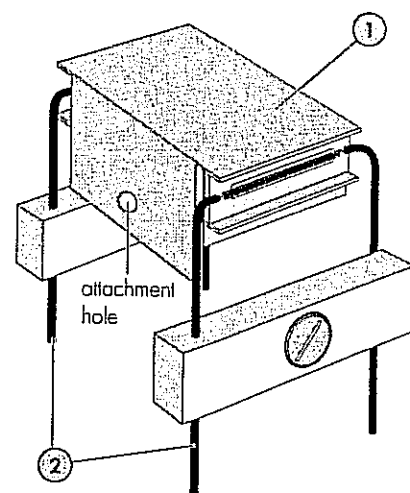
Ion emitter

Basic maintenance of the analyzer cell

Replace the electron collector and the filaments

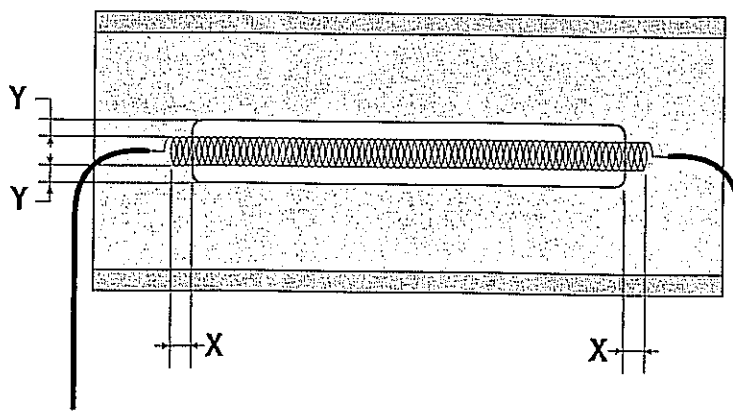
Fit the electron collector ① on the ion emitter by inserting the screw without tightening it completely.

Fit two new filaments ② (do not fasten the connections).



The good condition and correct setting of these components are decisive factors in maintaining the detector's characteristics.

The turns of each filament must be centered exactly opposite the electron collector slot:



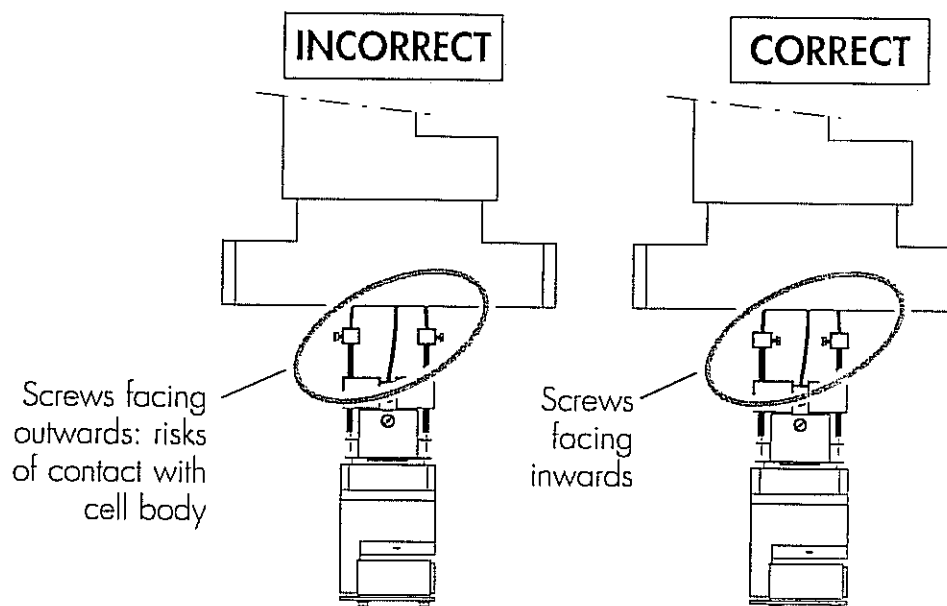
- The X values must be equal.
- The Y values must be equal.

To obtain this setting on each filament, adjust the relative positions of each filament and the electron collector before the final tightening.

Basic maintenance of the analyzer cell

Tighten all the connection screws

- Make sure that all the connection screws are facing inwards and are not in contact with each other.



Reassemble the flange

- Reposition the special elastomer seal on the body. If it is damaged, change it.

