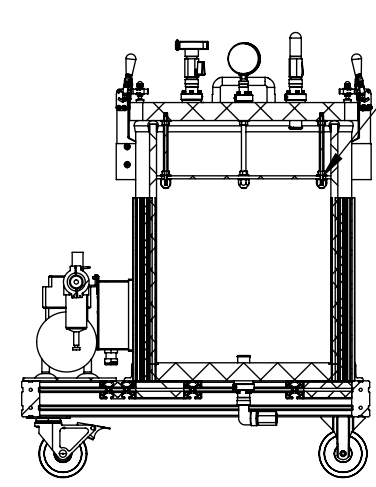
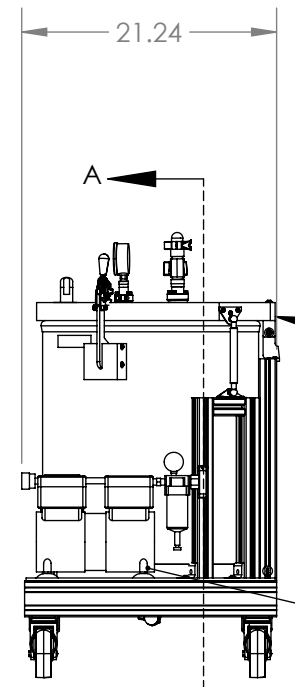
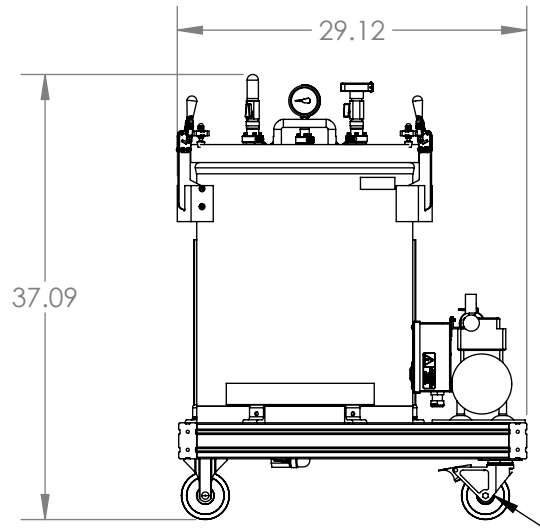
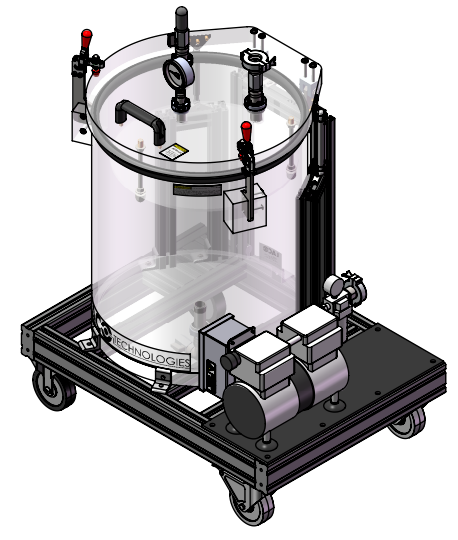
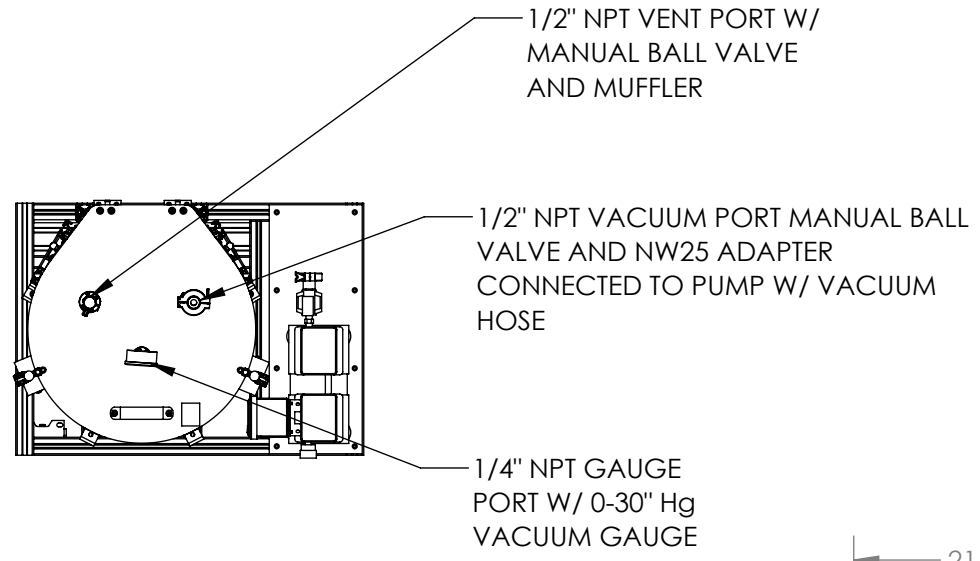


REV.	LCO No.	REV DESCRIPTION	DATE	APPROVED
A	---	INITIAL RELEASE	-----	---

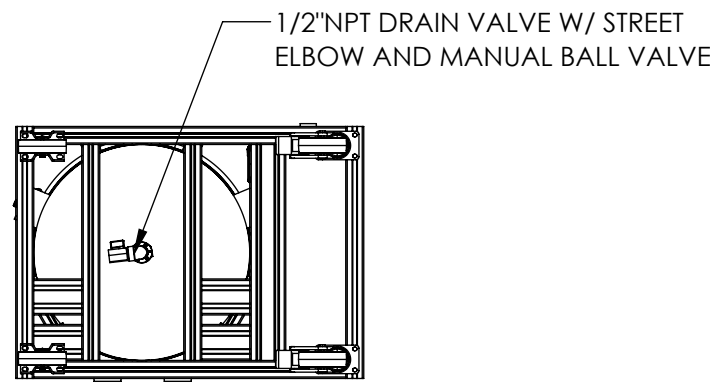


REMOVABLE ACRYLIC PLATFORM
SUSPENDED FROM LID TO FORCE
PACKAGES UNDER WATER

18" X 20" CLEAR ACRYLIC
VACUUM CHAMBER W/ HINGED
LID AND 2X LID CLAMPS

UN-200V VACUUM PUMP
MOUNTED TO ALUMINUM
FRAME

ALUMINUM FRAME W/ 2X FIXED AND
2X LOCKING SWIVEL CASTERS



- NOTES:
1. CHAMBER LEAK TESTED TO 1E-6 ATMCC/SEC.
 2. CHAMBER RATED FROM ATM TO 29.9 inHg OR 1 TORR.



UNLESS OTHERWISE SPECIFIED: DIMENSIONS ARE IN INCHES. TOLERANCES: FRACTIONAL: ±1/16" ANGULAR: MACH ±1° / BEND ±2° TWO PLACE DECIMAL: ±.03 THREE PLACE DECIMAL: ±.005 GEOMETRIC TOLERANCING PER ASME Y14.5M - 2009			ASSY, TOP LEVEL, 18X20 ACRYLIC PACKAGE TESTER SYSTEM WITH PUMP, STANDARD		
DRAWN BY		NAME	DATE		
SEE ABAS FOR APPROVER		JRA	4 FEB 2019		
DWG. NO.			REV		
115565-C			A		
SCALE: 1:16		SIZE: B	SHEET 1 OF 1		

8 7 6 5 4 3 2 1

8 7 6 5 4 3 2 1

D
C
B
A

D
C
B
A