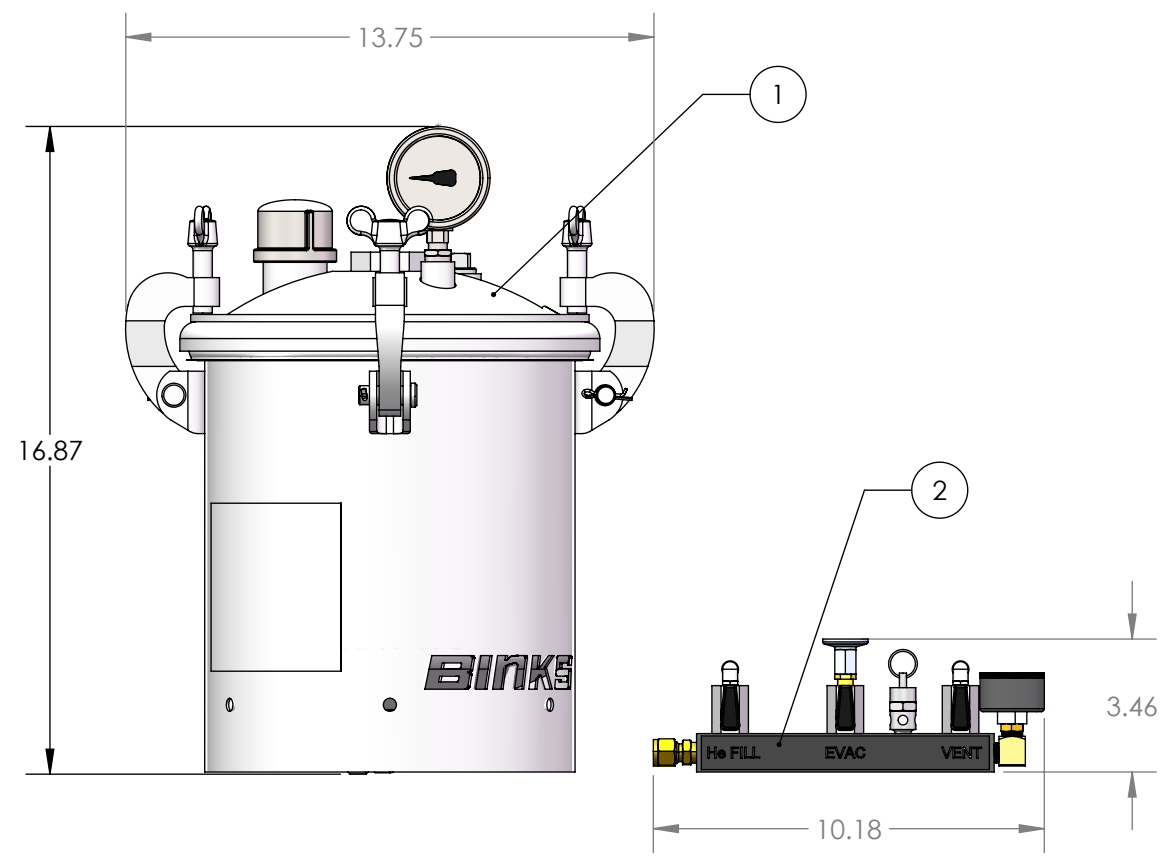
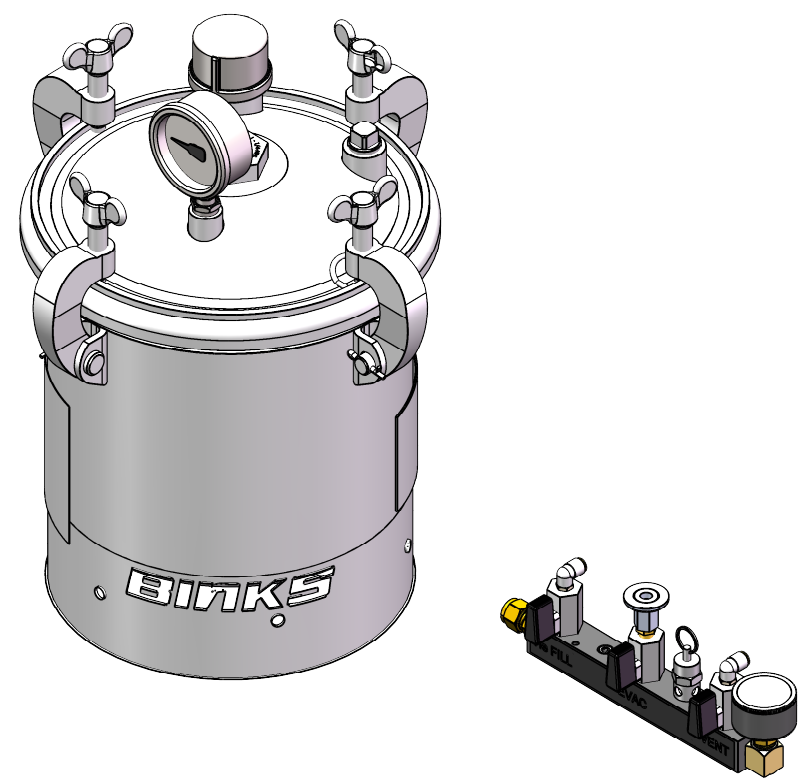
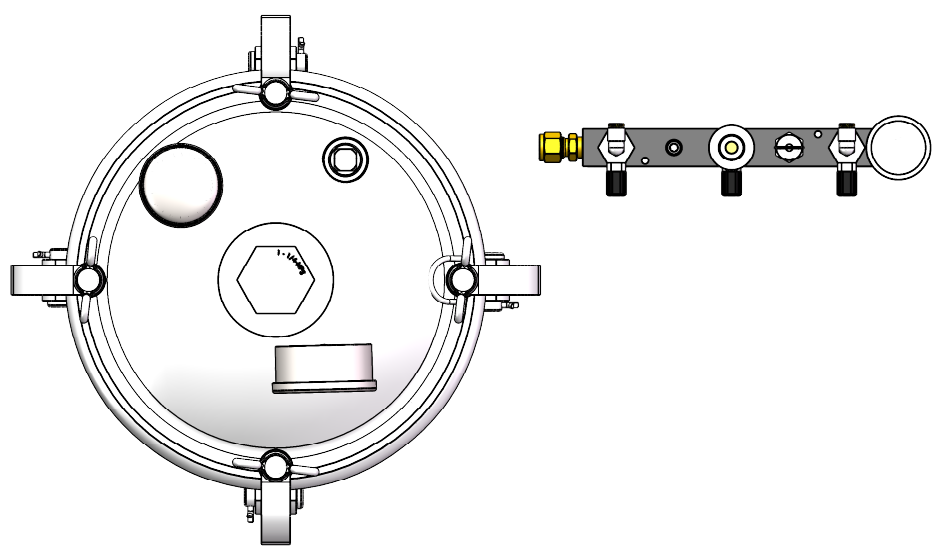


ID	FEATURE
1	BOMBING CHAMBER
2	HELIUM GAS CHARGE MANIFOLD

REV.	LCO No.	REV DESCRIPTION	DATE	APPROVED
A	---	INITIAL RELEASE	02/16/2023	MST



- NOTES:
- SYSTEM WEIGHT - KG(LB)- TOTAL WEIGHT 12.7 (28)
CHAMBER: 11.34 (25)
MANIFOLD: 1.3 (3)
 - SEE OPERATIONS MANUAL FOR MORE DETAIL.



<p>UNLESS OTHERWISE SPECIFIED: DIMENSIONS ARE IN INCHES. TOLERANCES: FRACTIONAL: ±1/16" ANGULAR: MACH ±1° / BEND ±2° TWO PLACE DECIMAL: ±.03 THREE PLACE DECIMAL: ±.005 GEOMETRIC TOLERANCING PER ASME Y14.5M - 2009</p> <p>PROPRIETARY AND CONFIDENTIAL THE INFORMATION CONTAINED IN THIS DRAWING IS THE SOLE PROPERTY OF LACO TECHNOLOGIES, INC. ANY REPRODUCTION IN PART OR AS A WHOLE WITHOUT THE WRITTEN PERMISSION OF LACO TECHNOLOGIES, INC., IS PROHIBITED.</p>	<p>HELIUM BOMBING SYSTEM 10X10, LMGC, NO PUMP, OPEN STYLE, CUSTOMER DRAWING</p>		
	<p>DRAWN BY</p>	<p>NAME MST</p>	<p>DATE 2/16/2023</p>
	<p>SEE ABAS FOR APPROVER</p>		<p>REV A</p>
	<p>DWG. NO. 126878-3C</p>		<p>SCALE: 1:5 SIZE: B SHEET 1 OF 1</p>

D
C
B
A

D
C
B
A

8

7

6

5

4

3

2

1

8

7

6

5

4

3

2

1