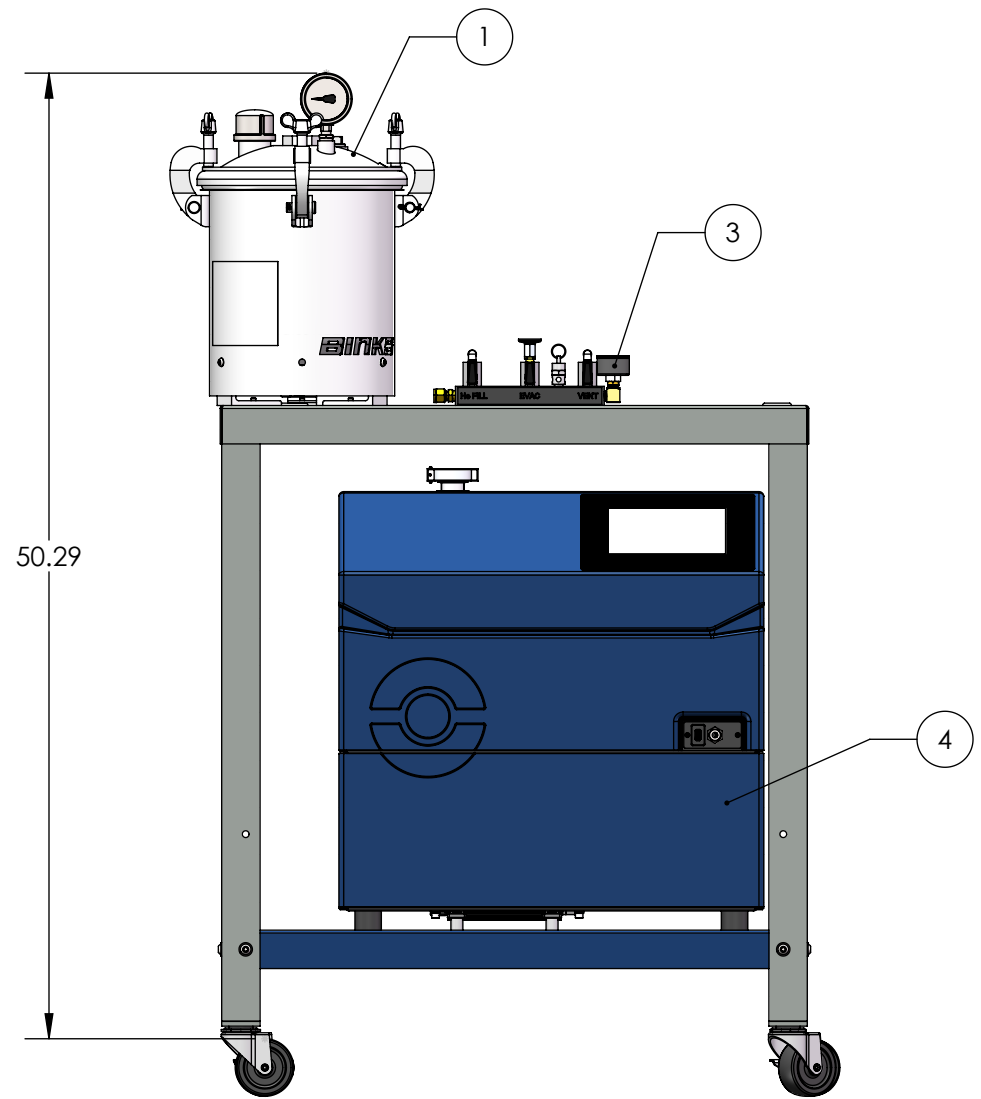
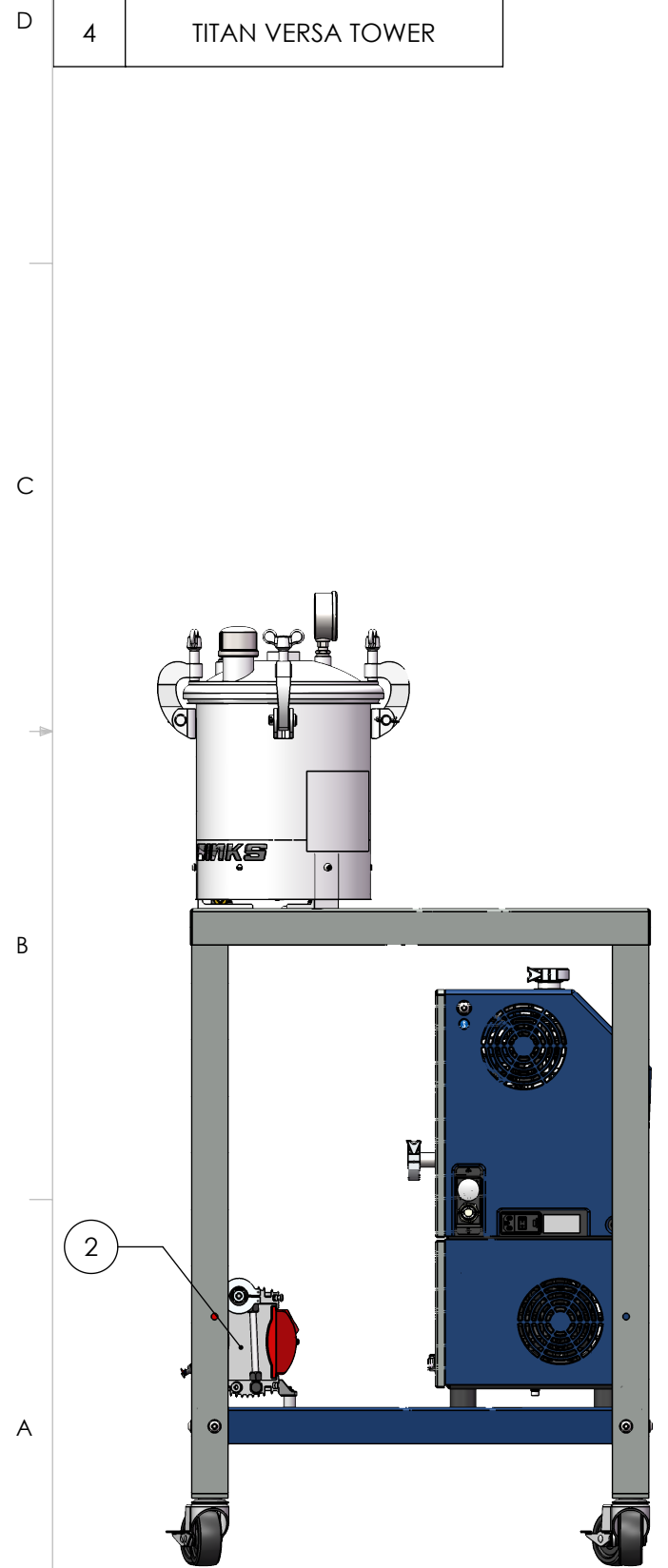
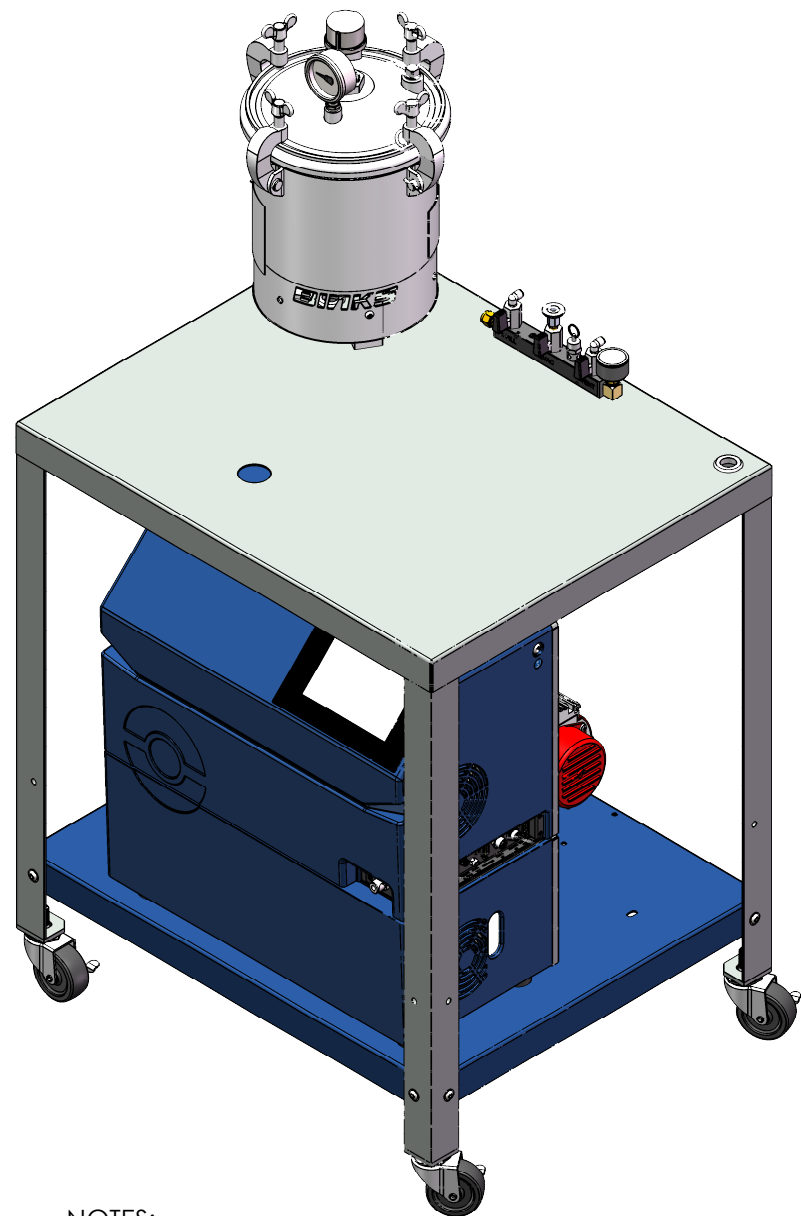
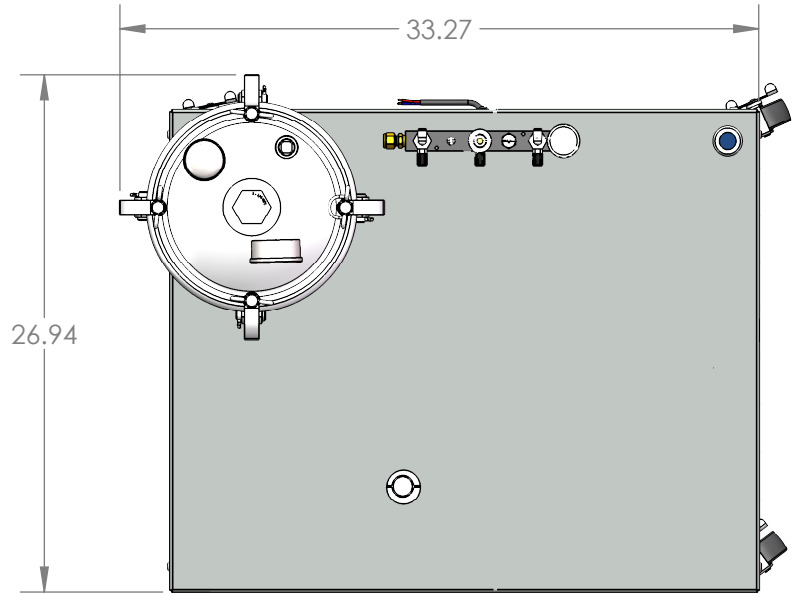


ID	FEATURE
1	BOMBING CHAMBER
2	EVAC PUMP (WET OR DRY)
3	HELIUM GAS CHARGE MANIFOLD
4	TITAN VERSA TOWER

REV.	LCO No.	REV DESCRIPTION	DATE	APPROVED
A	---	INITIAL RELEASE	02/16/2023	MST



- NOTES:
- SYSTEM WEIGHT - KG(LB)
68.5 (151)
 - SEE OPERATIONS MANUAL FOR MORE DETAIL



UNLESS OTHERWISE SPECIFIED: DIMENSIONS ARE IN INCHES. TOLERANCES: FRACTIONAL: ±1/16" ANGULAR: MACH ±1° / BEND ±2° TWO PLACE DECIMAL: ±.03 THREE PLACE DECIMAL: ±.005 GEOMETRIC TOLERANCING PER ASME Y14.5M - 2009			HELIUM BOMBING SYSTEM, 10X10, LMGC, EVAC PUMP, CART CUSTOMER DRAWING		
DRAWN BY		NAME	DATE		
SEE ABAS FOR APPROVER		MST	2/16/2023		
DWG. NO.				REV	
126880-5C				A	
SCALE: 1:10		SIZE: B	SHEET 1 OF 1		

8 7 6 5 4 3 2 1

D

C

B

A

8 7 6 5 4 3 2 1