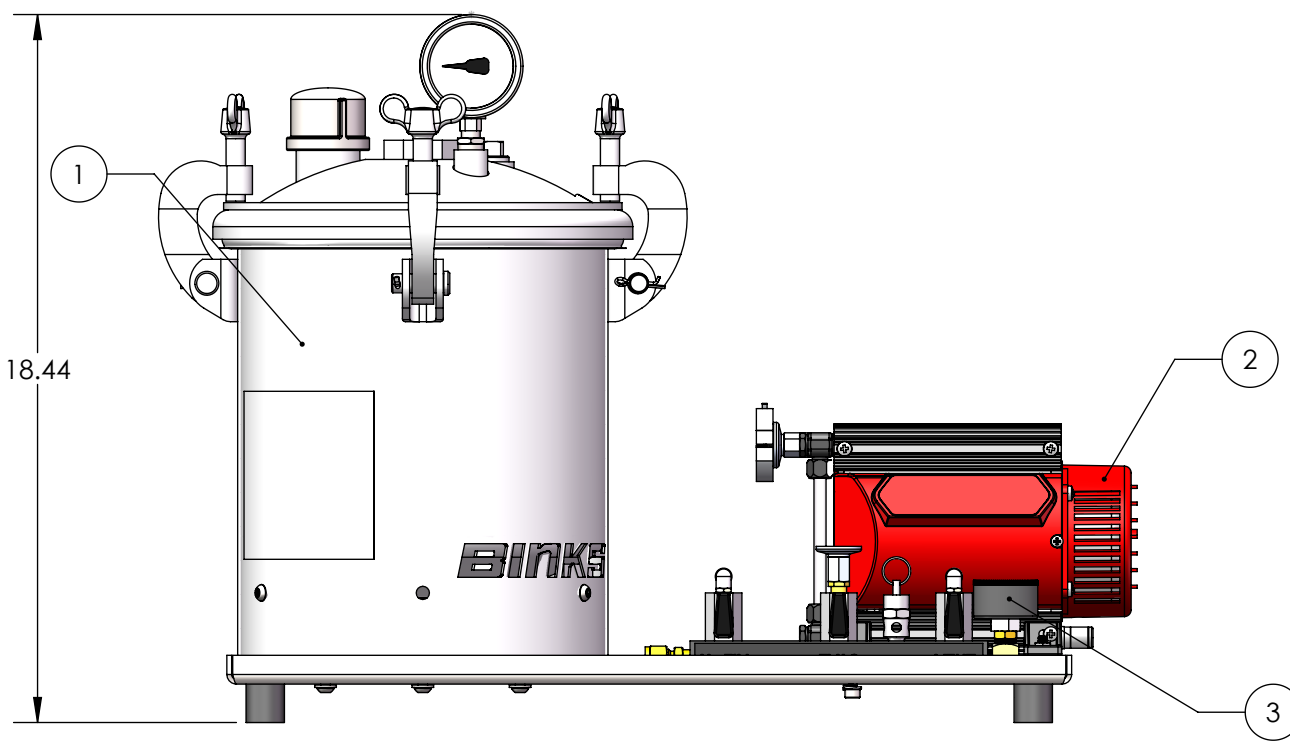
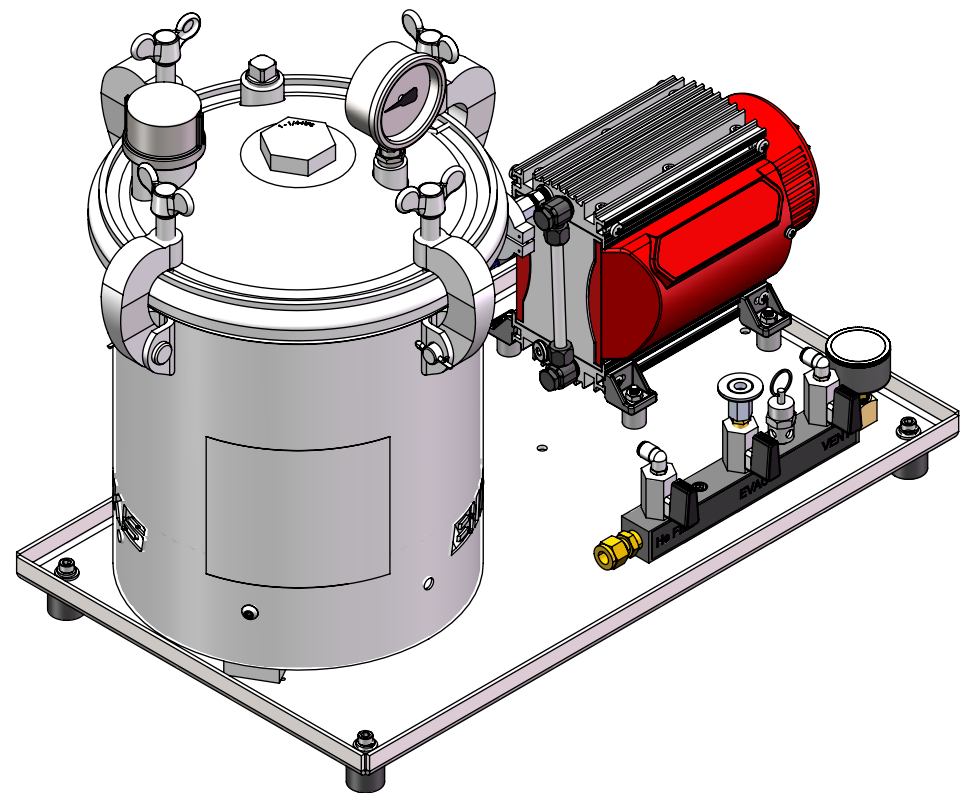
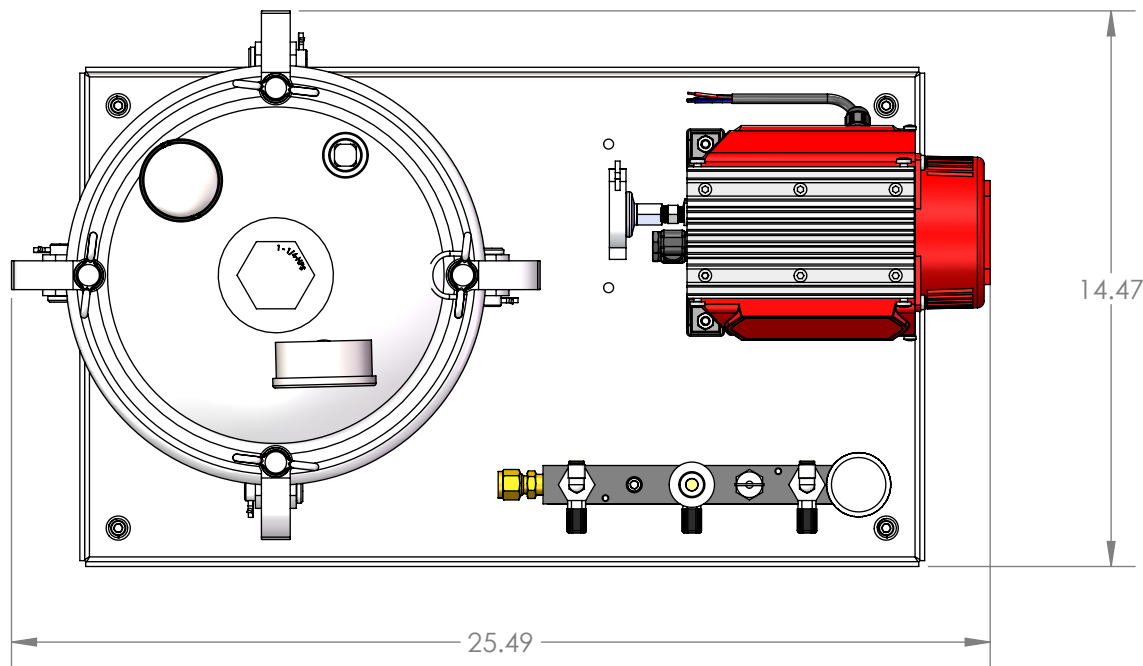


ID	FEATURE
1	BOMBING CHAMBER
2	EVAC PUMP (WET OR DRY)
3	HELIUM GAS CHARGE MANIFOLD

REV.	LCO No.	REV DESCRIPTION	DATE	APPROVED
A	---	INITIAL RELEASE	2/14/2023	MST



- NOTES:
- SYSTEM WEIGHT - KG(LB)
22.6 (50)
 - SEE OPERATIONS MANUAL FOR MORE DETAIL



UNLESS OTHERWISE SPECIFIED: DIMENSIONS ARE IN INCHES. TOLERANCES: FRACTIONAL: ±1/16" ANGULAR: MACH ±1° / BEND ±2° TWO PLACE DECIMAL: ±.03 THREE PLACE DECIMAL: ±.005 GEOMETRIC TOLERANCING PER ASME Y14.5M - 2009			HELIUM BOMBING SYSTEM, LMGC, EVAC PUMP BASE PLATE CUSTOMER DRAWING		
DRAWN BY		NAME	DATE		
		MST	2/14/2023		
DWG. NO.			REV		
126879-1C			A		
SCALE: 1:5		SIZE: B	SHEET 1 OF 1		

PROPRIETARY AND CONFIDENTIAL
THE INFORMATION CONTAINED IN THIS
DRAWING IS THE SOLE PROPERTY OF LACO
TECHNOLOGIES, INC. ANY
REPRODUCTION IN PART OR AS A WHOLE
WITHOUT THE WRITTEN PERMISSION OF
LACO TECHNOLOGIES, INC., IS PROHIBITED.

SEE ABAS FOR APPROVER